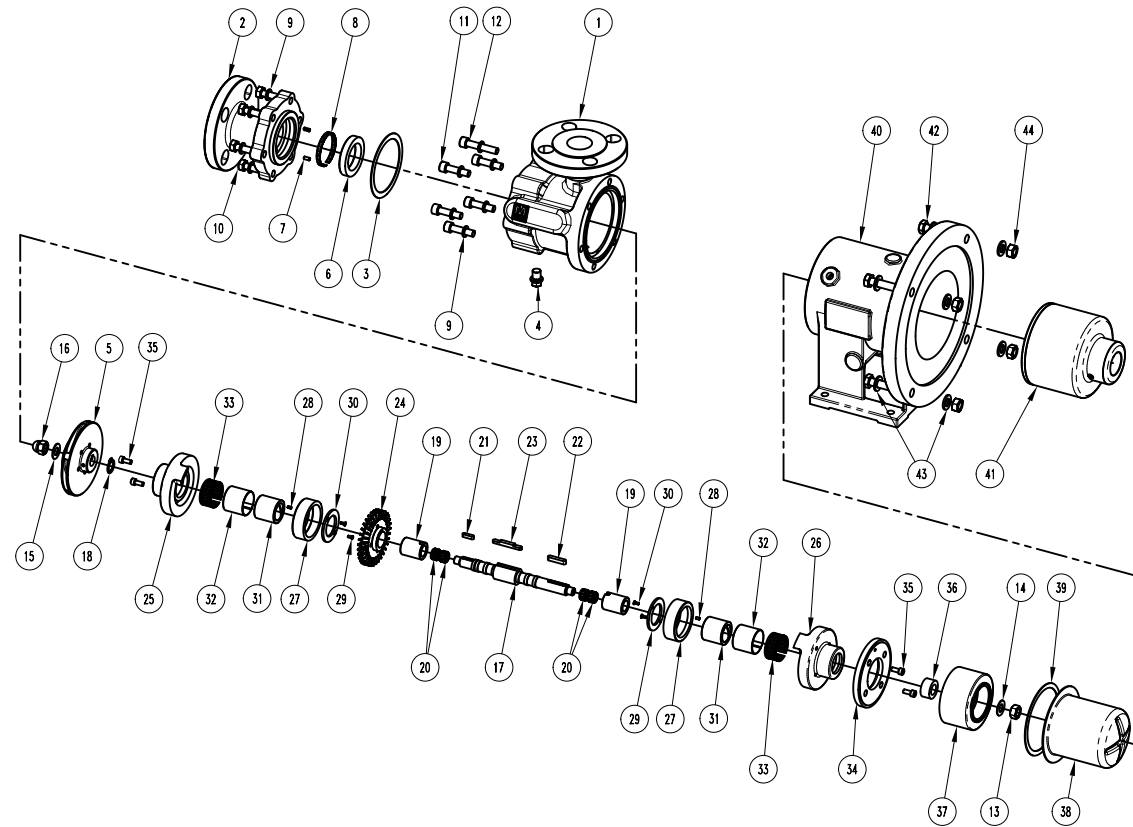


EXPLODED VIEW

CODE: E10462 Rev.:01



PART LIST

ITEM N°	CODE	Description	Material	Q.ty
1	56210CT0003AUB	Pump Casing	AISI316	1
2	55520CT0003AUB	Pump Casing Cover	AISI316	1
3	91510P1065885	Pump Casing Gasket	PTFE	1
4	9315014MA	Plug 1/4" BSP	AISI316	1
5	55710CM001080A	Centrifugal Impeller	CF8M	1
6	90140A64987	Thrustbearing	Carbon ant.	1
7	93030D03L06A2	Elastic pin Ø3x6	A2-70	2
8	51710ERHV6506	Casing tolerance ring	AISI304	1
9	91630S0814A2	Washer UNI1751 D.8x14	A2-70	12
10	91610TE830A2	Screw UNI24017 M8x30	A2-70	6
11	91610TCEI830A2	Screw UNI5931 M8x30	A2-70	5
12	91610TCEI850A2	Screw UNI5931 M8x50	A2-70	1
13	91620N12A2	Nut UNI5588 M12	A2-70	1
14	91630L1319A4	Washer NORD LOCK D.12x19.5	A4-70	1
15	91630L1016A4	Washer NORD LOCK D.10x16.6	A4-70	1
16	91620C10A4	Blind Nut UNI5721 M10	A4-70	1
17	55010CT0003A	Shaft	AISI316	1
18	93040D14A4	Seeger UNI7435 A14	A4-70	1
19	902202530S	Sleeve shaft	SSiC	2
20	91710ARSV1210	Shaft tolerance ring	AISI316	4
21	91640A4420A2	Key UNI6604/A 4x4x20	A2-70	1
22	91640A5520A2	Key UNI6604/A 5x5x20	A2-70	1
23	91640A55425A4S	Special Key 5x5x42.5	A4-70	1
24	55710T0003A	Impeller	AISI316	1
25	55120CT003AA	Front Volute ring	AISI316	1
26	55120CT003AP	Rear Volute ring	AISI316	1
27	93010T003PA	Wear pad	Carbon ant.	2
28	93030D04L010A2	Elastic pin Ø4x10	A2-70	2
29	90120T0003A	Lock ring wear pad	AISI316	2
30	91610TSTC38A4	Screw UNI2009 M3x8	A4-70	4
31	90310A3330	Bushing	Carbon ant.	2
32	902103530A	Sleeve bushing	AISI316	2
33	91710ARHV3714	Bushing tolerance ring	AISI316	2
34	51325CT0003A	Lock ring Volute ring	AISI316	1
35	91610TCEI515A2	Screw UNI5931 M5x15	A2-70	4
36	56540CT0003A	Int. magnet Spacer	AISI316	1
37	55820T0003NA	Internal magnet	AISI316/NdFeB	1
38	55610A13013	Rear casing	AISI316	1
39	91510P975825	Rear casing gasket	PTFE	1
40	56110T000310C	Bracket	WCB	1
41	55810T000310N	External magnet	A105/NdFeB	1
42	91610TE1045A2	Screw UNI24017 M10x45	A2-70	4
43	91630N1020A2	Washer UNI6592 D.10x20	A2-70	8
44	91620N10A2	Nut UNI5588 M10	A2-70	4

ITEM:
Pump model: CT MAG-M 3

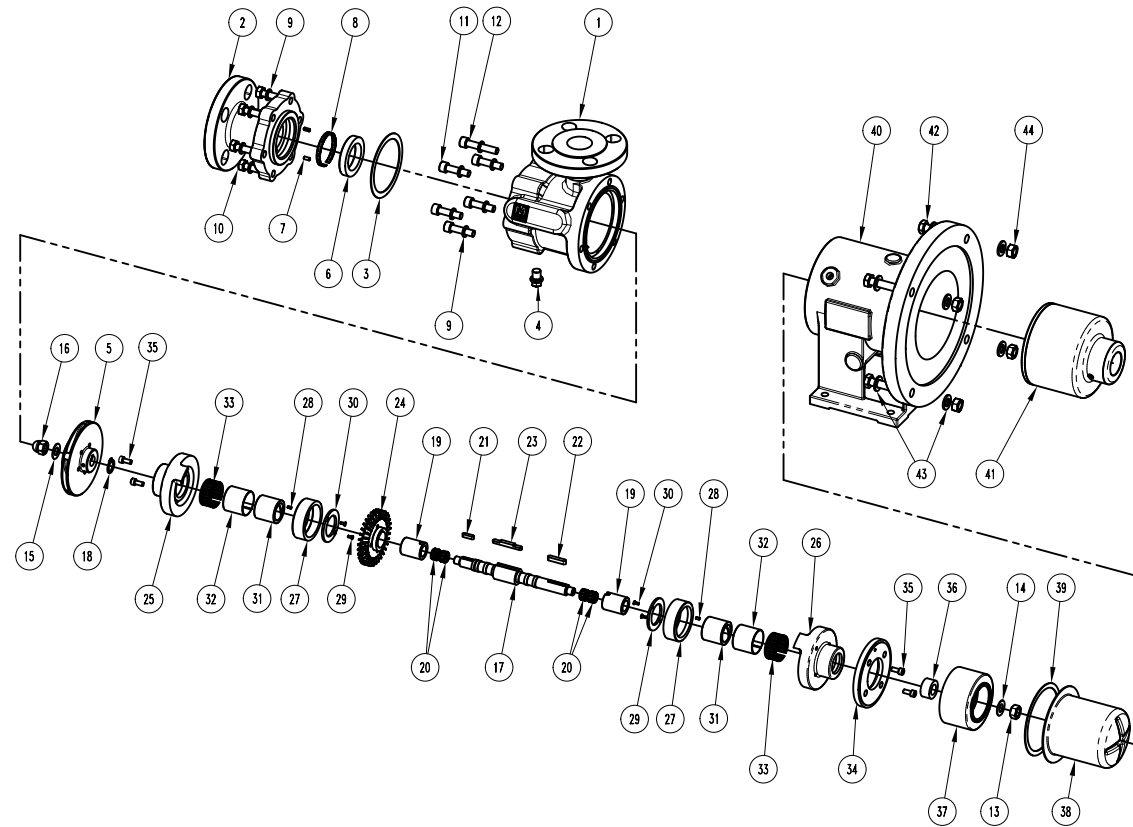
Motor: IEC Gr 90
Port connection: Flanged

ANSI (ASA) B16.5 300 lbs / UNI EN1092-1 PN.40

- This drawing is for reference only

EXPLODED VIEW

CODE: E10463 Rev.:01



PART LIST

ITEM N°	CODE	Description	Material	Q.ty
1	56210CT0003AUB	Pump Casing	AISI316	1
2	55520CT0003AUB	Pump Casing Cover	AISI316	1
3	91510P1065885	Pump Casing Gasket	PTFE	1
4	9315014MA	Plug 1/4" BSP	AISI316	1
5	55710CM001080A	Centrifugal Impeller	CF8M	1
6	90140A64987	Thrustbearing	Carbon ant.	1
7	93030D03L06A2	Elastic pin Ø3x6	A2-70	2
8	51710ERHV6506	Casing tolerance ring	AISI304	1
9	91630S0814A2	Washer UNI1751 D.8x14	A2-70	12
10	91610TE830A2	Screw UNI24017 M8x30	A2-70	6
11	91610TCEI830A2	Screw UNI5931 M8x30	A2-70	5
12	91610TCEI850A2	Screw UNI5931 M8x50	A2-70	1
13	91620N12A2	Nut UNI5588 M12	A2-70	1
14	91630L1319A4	Washer NORD LOCK D.12x19.5	A4-70	1
15	91630L1016A4	Washer NORD LOCK D.10x16.6	A4-70	1
16	91620C10A4	Blind Nut UNI5721 M10	A4-70	1
17	55010CT0003A	Shaft	AISI316	1
18	93040D14A4	Sege UNI7435 A14	A4-70	1
19	902202530S	Sleeve shaft	SSiC	2
20	91710ARSV1210	Shaft tolerance ring	AISI316	4
21	91640A4420A2	Key UNI6604/A 4x4x20	A2-70	1
22	91640A5520A2	Key UNI6604/A 5x5x20	A2-70	1
23	91640A55425A4S	Special Key 5x5x42.5	A4-70	1
24	55710T0003A	Impeller	AISI316	1
25	55120CT003AA	Front Volute ring	AISI316	1
26	55120CT003AP	Rear Volute ring	AISI316	1
27	93010T003PA	Wear pad	Carbon ant.	2
28	93030D04L010A2	Elastic pin Ø4x10	A2-70	2
29	90120T0003A	Lock ring wear pad	AISI316	2
30	91610TSTC38A4	Screw UNI2009 M3x8	A4-70	4
31	90310A3330	Bushing	Carbon ant.	2
32	902103530A	Sleeve bushing	AISI316	2
33	91710ARHV3714	Bushing tolerance ring	AISI316	2
34	51325CT0003A	Lock ring Volute ring	AISI316	1
35	91610TCEI515A2	Screw UNI5931 M5x15	A2-70	4
36	56540CT0003A	Int. magnet Spacer	AISI316	1
37	55820T0003NA	Internal magnet	AISI316/NdFeB	1
38	55610A13013	Rear casing	AISI316	1
39	91510P975825	Rear casing gasket	PTFE	1
40	56110T00031214C	Bracket	WCB	1
41	55810T000412N	External magnet	A105/NdFeB	1
42	91610TE1045A2	Screw UNI24017 M10x45	A2-70	4
43	91630N1020A2	Washer UNI6592 D.10x20	A2-70	8
44	91620N10A2	Nut UNI5588 M10	A2-70	4

ITEM:
Pump model: CT MAG-M 3

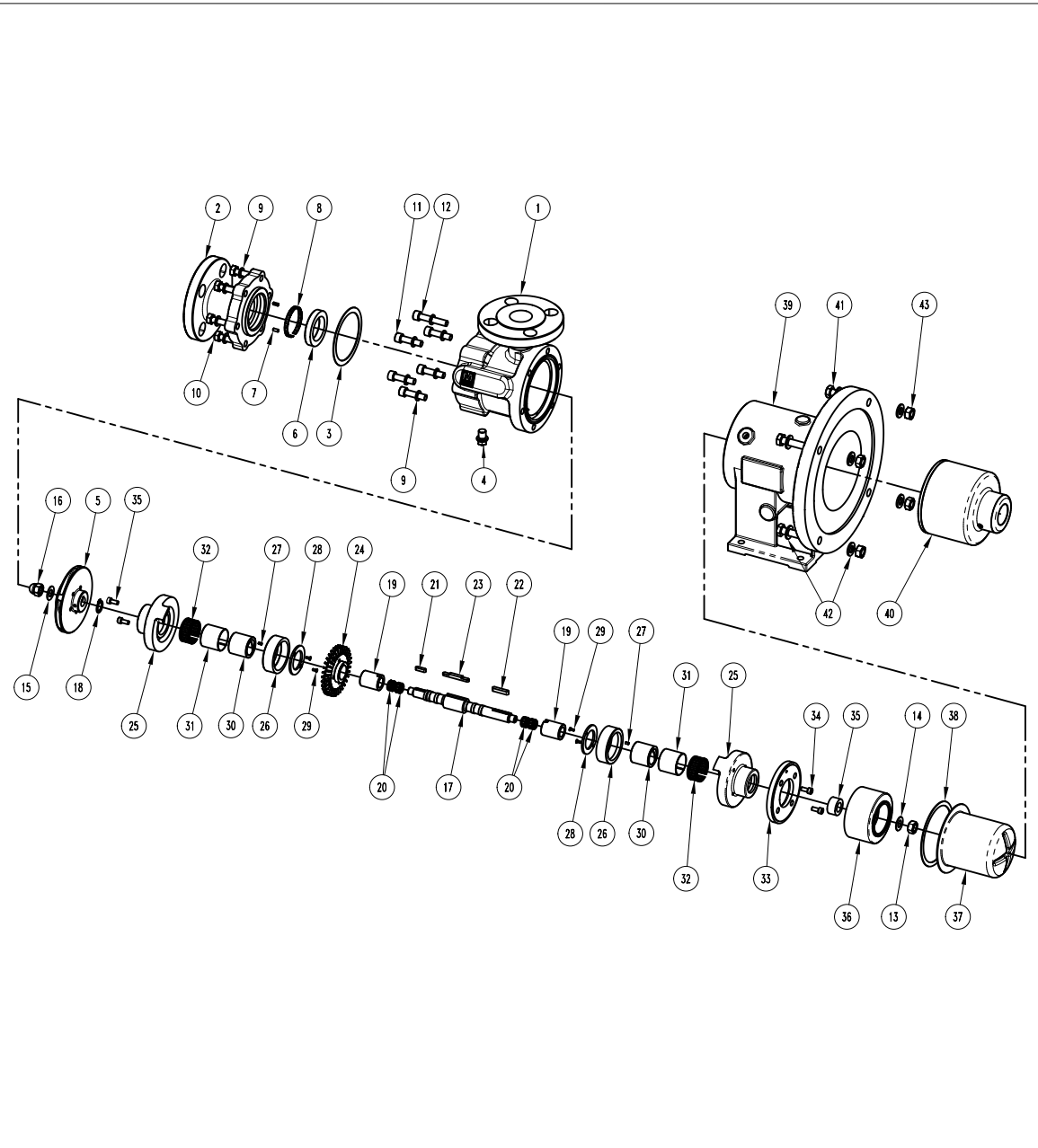
Motor: IEC Gr 100/112
Port connection: Flanged

ANSI (ASA) B16.5 300 lbs / UNI EN1092-1 PN.40

- This drawing is for reference only

EXPLODED VIEW

CODE: E10464 Rev.:01



PART LIST

ITEM N°	CODE	Description	Material	Q.ty
1	56210CT0003AUB	Pump Casing	AISI316	1
2	55520CT0003AUB	Pump Casing Cover	AISI316	1
3	91510P1065885	Pump Casing Gasket	PTFE	1
4	9315014MA	Plug 1/4" BSP	AISI316	1
5	55710CM001080A	Centrifugal Impeller	CF8M	1
6	90140A64987	Thrustbearing	Carbon ant.	1
7	93030D03L06A2	Elastic pin Ø3x6	A2-70	2
8	51710ERHV6506	Casing tolerance ring	AISI304	1
9	91630S0814A2	Washer UNI1751 D.8x14	A2-70	12
10	91610TE830A2	Screw UNI24017 M8x30	A2-70	6
11	91610TCEI830A2	Screw UNI5931 M8x30	A2-70	5
12	91610TCEI850A2	Screw UNI5931 M8x50	A2-70	1
13	91620N12A2	Nut UNI5588 M12	A2-70	1
14	91630L1319A4	Washer NORD LOCK D.12x19.5	A4-70	1
15	91630L1016A4	Washer NORD LOCK D.10x16.6	A4-70	1
16	91620C10A4	Blind Nut UNI5721 M10	A4-70	1
17	55010CT0003A	Shaft	AISI316	1
18	93040D14A4	Sege UNI7435 A14	A4-70	1
19	902202530S	Sleeve shaft	SSiC	2
20	91710ARSV1210	Shaft tolerance ring	AISI316	4
21	91640A4420A2	Key UNI6604/A 4x4x20	A2-70	1
22	91640A5520A2	Key UNI6604/A 5x5x20	A2-70	1
23	91640A55425A4S	Special Key 5x5x42.5	A4-70	1
24	55710T0004A	Impeller	AISI316	1
25	55120CT0004A	Volute ring	AISI316	2
26	93010T003PA	Wear pad	Carbon ant.	2
27	93030D04L010A2	Elastic pin Ø4x10	A2-70	2
28	90120T0003A	Lock ring wear pad	AISI316	2
29	91610TSTC38A4	Screw UNI2009 M3x8	A4-70	4
30	90310A3330	Bushing	Carbon ant.	2
31	902103530A	Sleeve bushing	AISI316	2
32	91710ARHV3714	Bushing tolerance ring	AISI316	2
33	51325CT0003A	Lock ring Volute ring	AISI316	1
34	91610TCEI515A2	Screw UNI5931 M5x15	A2-70	4
35	56540CT0003A	Int. magnet Spacer	AISI316	1
36	55820T0003NA	Internal magnet	AISI316/NdFeB	1
37	55610A13013	Rear casing	AISI316	1
38	91510P975825	Rear casing gasket	PTFE	1
39	56110T000310C	Bracket	WCB	1
40	55810T000310N	External magnet	A105/NdFeB	1
41	91610TE1045A2	Screw UNI24017 M10x45	A2-70	4
42	91630N1020A2	Washer UNI6592 D.10x20	A2-70	8
43	91620N10A2	Nut UNI5588 M10	A2-70	4

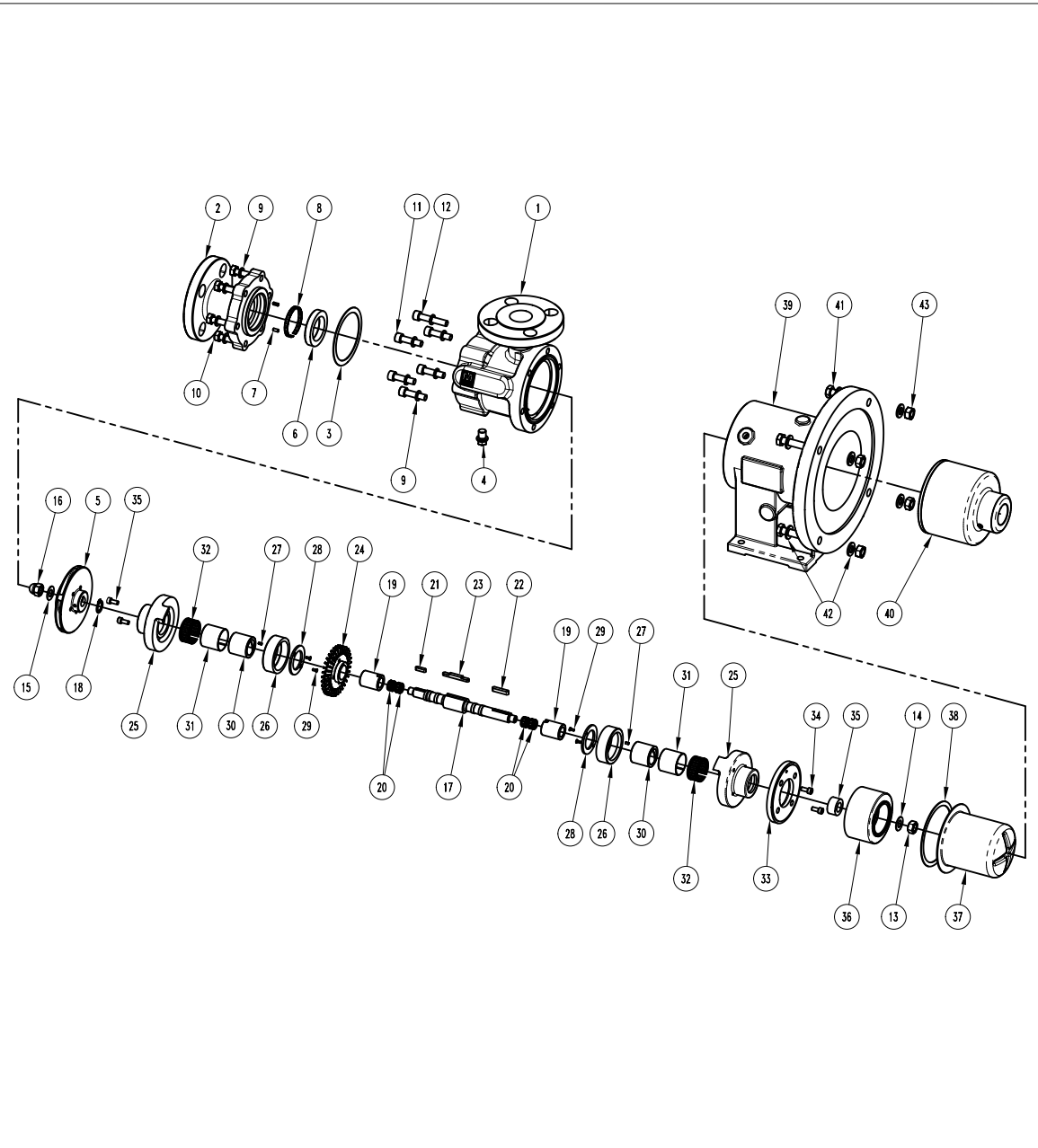
ITEM: Pump model: CT MAG-M 4

Motor: IEC Gr 90
 Port connection: Flanged
 ANSI (ASA) B16.5 300 lbs / UNI EN1092-1 PN.40

- This drawing is for reference only

EXPLODED VIEW

CODE: E10465 Rev.:01



PART LIST

ITEM N°	CODE	Description	Material	Q.ty
1	56210CT0003AUB	Pump Casing	AISI316	1
2	55520CT0003AUB	Pump Casing Cover	AISI316	1
3	91510P1065885	Pump Casing Gasket	PTFE	1
4	9315014MA	Plug 1/4" BSP	AISI316	1
5	55710CM001080A	Centrifugal Impeller	CF8M	1
6	90140A64987	Thrustbearing	Carbon ant.	1
7	93030D03L06A2	Elastic pin ø3x6	A2-70	2
8	51710ERHV6506	Casing tolerance ring	AISI304	1
9	91630S0814A2	Washer UNI1751 D.8x14	A2-70	12
10	91610TE830A2	Screw UNI24017 M8x30	A2-70	6
11	91610TCEI830A2	Screw UNI5931 M8x30	A2-70	5
12	91610TCEI850A2	Screw UNI5931 M8x50	A2-70	1
13	91620N12A2	Nut UNI5588 M12	A2-70	1
14	91630L1319A4	Washer NORD LOCK D.12x19.5	A4-70	1
15	91630L1016A4	Washer NORD LOCK D.10x16.6	A4-70	1
16	91620C10A4	Blind Nut UNI5721 M10	A4-70	1
17	55010CT0003A	Shaft	AISI316	1
18	93040D14A4	Sege UNI7435 A14	A4-70	1
19	902202530S	Sleeve shaft	SSiC	2
20	91710ARSV1210	Shaft tolerance ring	AISI316	4
21	91640A4420A2	Key UNI6604/A 4x4x20	A2-70	1
22	91640A5520A2	Key UNI6604/A 5x5x20	A2-70	1
23	91640A55425A4S	Special Key 5x5x42.5	A4-70	1
24	55710T0004A	Impeller	AISI316	1
25	55120CT0004A	Volute ring	AISI316	2
26	93010T003PA	Wear pad	Carbon ant.	2
27	93030D04L010A2	Elastic pin ø4x10	A2-70	2
28	90120T0003A	Lock ring wear pad	AISI316	2
29	91610TSTC38A4	Screw UNI2009 M3x8	A4-70	4
30	90310A3330	Bushing	Carbon ant.	2
31	902103530A	Sleeve bushing	AISI316	2
32	91710ARHV3714	Bushing tolerance ring	AISI316	2
33	51325CT0003A	Lock ring Volute ring	AISI316	1
34	91610TCEI515A2	Screw UNI5931 M5x15	A2-70	4
35	56540CT0003A	Int. magnet Spacer	AISI316	1
36	55820T0003NA	Internal magnet	AISI316/NdFeB	1
37	55610A13013	Rear casing	AISI316	1
38	91510P975825	Rear casing gasket	PTFE	1
39	56110T00031214C	Bracket	WCB	1
40	55810T000412N	External magnet	A105/NdFeB	1
41	91610TE1045A2	Screw UNI24017 M10x45	A2-70	4
42	91630N1020A2	Washer UNI6592 D.10x20	A2-70	8
43	91620N10A2	Nut UNI5588 M10	A2-70	4

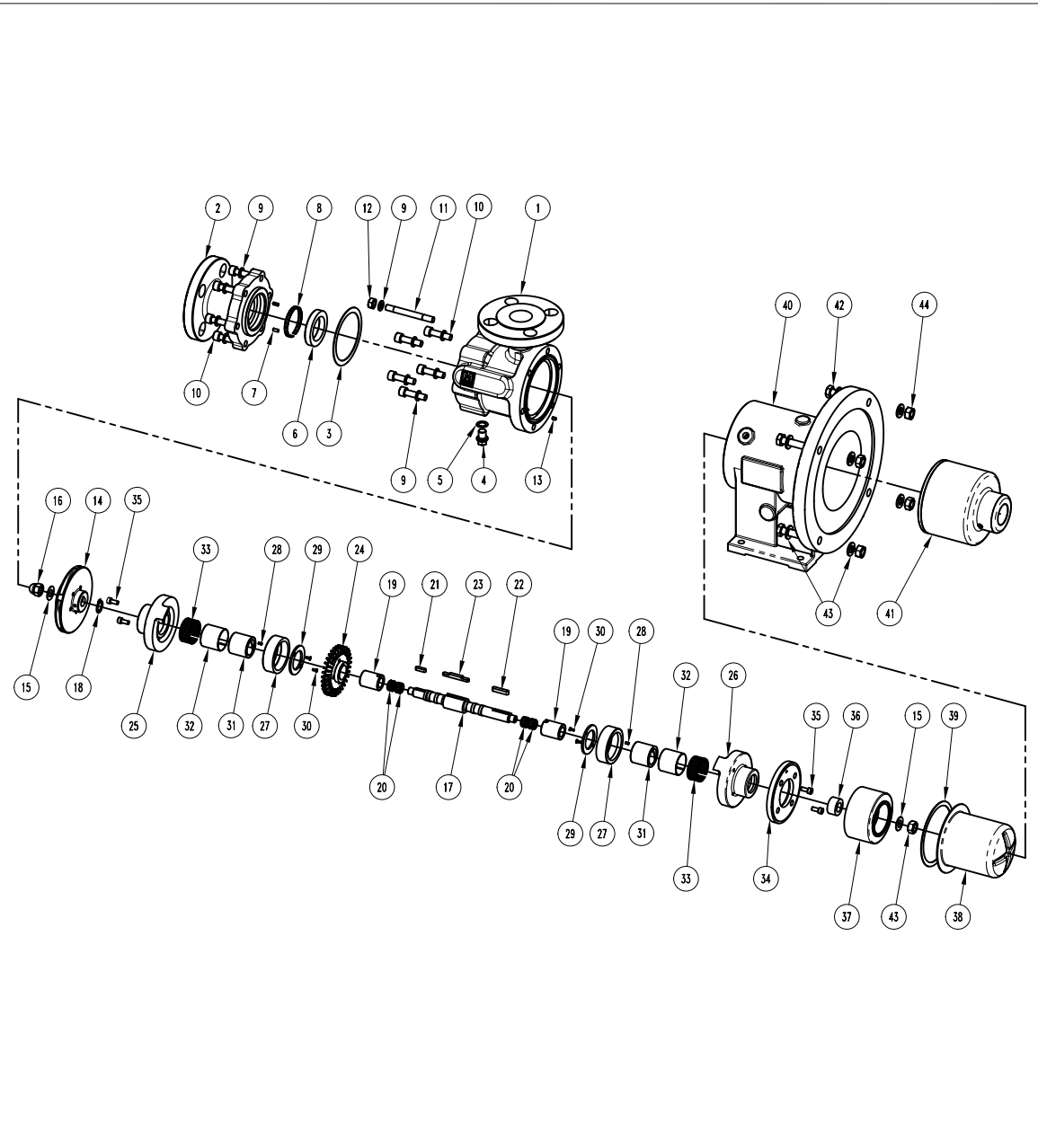
ITEM: Pump model: CT MAG-M 4

Motor: IEC Gr 100/112
 Port connection: Flanged
 ANSI (ASA) B16.5 300 lbs / UNI EN1092-1 PN.40

- This drawing is for reference only

EXPLODED VIEW

CODE: E10466 Rev.:01



PART LIST

ITEM N°	CODE	Description	Material	Q.ty
1	56210CT0005AUF	Pump Casing	CF8M	1
2	55520CT0005AUF	Pump Casing Cover	CF8M	1
3	91510P1065885	Pump Casing Gasket	PTFE	1
4	53150A97964	Plug 1/4" BSP	AISI316	1
5	91510P198132	Plug Gasket	PTFE	1
6	90140A65109	Thrustbearing	Carbon ant.	1
7	93030D04L10A2	Elastic pin #4x10	A2-70	2
8	51710ERHV6506	Casing tolerance ring	AISI304	1
9	91630S1017A2	Washer UNI1751 D.10x17	A2-70	12
10	91610TCEI104088Z	Screw UNI5931 M10x40	CL.8.8 Zinc.	11
11	91610P109488Z	Stud bolt M10x94	CL.8.8 Zinc.	1
12	91620N1088Z	Nut UNI5588 M10	CL.8.8 Zinc.	1
13	93030D04L06A2	Elastic pin #4x6	A2-70	1
14	55710CM002086A	Centrifugal Impeller	CF8M	1
15	91630L1319A4	Washer NORD LOCK D.12x19.5	A4-70	2
16	91620C12A4	Blind Nut UNI5721 M12	A4-70	1
17	55010CT0005A	Shaft	AISI316	1
18	93040D18A4	Seeger UNI7435 A18	A4-70	1
19	902202835S	Sleeve shaft	SSiC	2
20	91710ARSV1610	Shaft tolerance ring	AISI316	4
21	91640A4420A2	Key UNI6604/A 4x4x20	A2-70	1
22	91640A6632A2	Key UNI6604/A 6x6x32	A2-70	1
23	91640A6652A4S	Special Key 6x6x52	A4-70	1
24	55710T0005A	Impeller	AISI316	1
25	55120CT005AA	Front Volute ring	AISI316	1
26	55120CT005AP	Rear Volute ring	AISI316	1
27	93010T005PA	Wear pad	Carbon ant.	2
28	93030D03L06A2	Elastic pin #3x6	A2-70	2
29	90120T0005A	Lock ring wear pad	AISI316	2
30	91610TSTC38A4	Screw UNI2009 M3x8	A4-70	4
31	90310A3835	Bushing	Carbon ant.	2
32	902104035A	Sleeve bushing	AISI316	2
33	91710ARHV4220	Bushing tolerance ring	AISI316	2
34	51325CT0005A	Lock ring Volute ring	AISI316	1
35	91610TCEI616A2	Screw UNI5931 M6x16	A2-70	4
36	56540CT0005A	Int. magnet Spacer	AISI316	1
37	55820T0005NA	Internal magnet	AISI316/NdFeB	1
38	55610A16508	Rear casing	AISI316	1
39	91510P11951045	Rear casing gasket	PTFE	1
40	56110T00051214C	Bracket	WCB	1
41	55810T000512N1	External magnet	A105/NdFeB	1
42	91610TE1255A2	Screw UNI24017 M12x55	A2-70	4
43	91630N1224A2	Washer UNI6592 D.12x24	A2-70	8
44	91620N12A2	Nut UNI5588 M12	A2-70	4

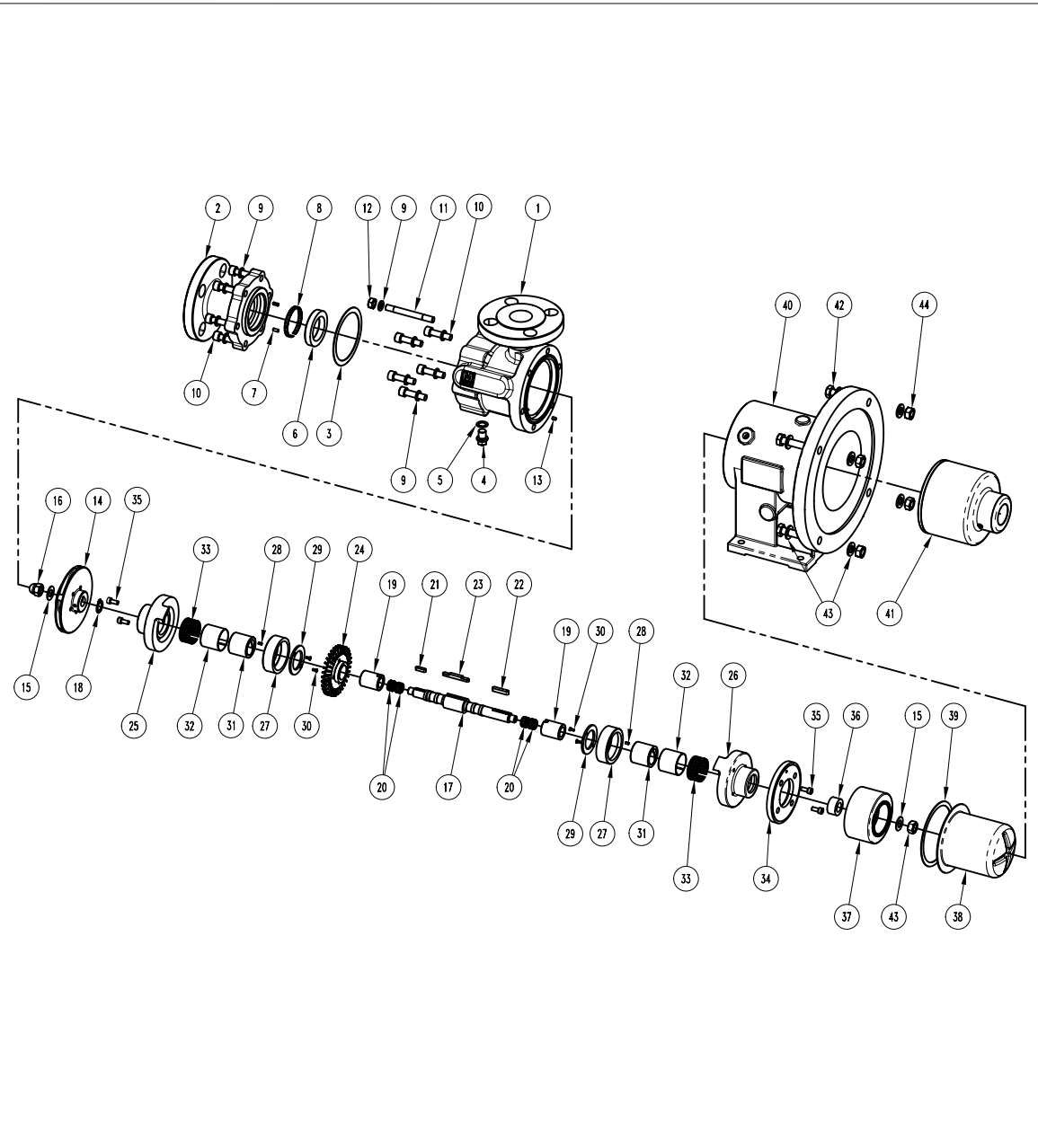
ITEM: Pump model: CT MAG-M 5

Motor: IEC Gr 100/112
Port connection: Flanged
ANSI (ASA) B16.5 300 lbs / UNI EN1092-1 PN.40

- This drawing is for reference only

EXPLODED VIEW

CODE: E10467 Rev.:01



PART LIST

ITEM N°	CODE	Description	Material	Q.ty
1	56210CT0005AUF	Pump Casing	CF8M	1
2	55520CT0005AUF	Pump Casing Cover	CF8M	1
3	91510P1065885	Pump Casing Gasket	PTFE	1
4	53150A97964	Plug 1/4" BSP	AISI316	1
5	91510P198132	Plug Gasket	PTFE	1
6	90140A65109	Thrustbearing	Carbon ant.	1
7	93030D04L10A2	Elastic pin #4x10	A2-70	2
8	51710ERHV6506	Casing tolerance ring	AISI304	1
9	91630S1017A2	Washer UNI1751 D.10x17	A2-70	12
10	91610TCEI104088Z	Screw UNI5931 M10x40	CL.8.8 Zinc.	11
11	91610P109488Z	Stud bolt M10x94	CL.8.8 Zinc.	1
12	91620N1088Z	Nut UNI5588 M10	CL.8.8 Zinc.	1
13	93030D04L06A2	Elastic pin #4x6	A2-70	1
14	55710CM002086A	Centrifugal Impeller	CF8M	1
15	91630L1319A4	Washer NORD LOCK D.12x19.5	A4-70	2
16	91620C12A4	Blind Nut UNI5721 M12	A4-70	1
17	55010CT0005A	Shaft	AISI316	1
18	93040D18A4	Seeger UNI7435 A18	A4-70	1
19	902202835S	Sleeve shaft	SSiC	2
20	91710ARSV1610	Shaft tolerance ring	AISI316	4
21	91640A4420A2	Key UNI6604/A 4x4x20	A2-70	1
22	91640A6632A2	Key UNI6604/A 6x6x32	A2-70	1
23	91640A6652A4S	Special Key 6x6x52	A4-70	1
24	55710T0005A	Impeller	AISI316	1
25	55120CT005AA	Front Volute ring	AISI316	1
26	55120CT005AP	Rear Volute ring	AISI316	1
27	93010T005PA	Wear pad	Carbon ant.	2
28	93030D03L06A2	Elastic pin #3x6	A2-70	2
29	90120T0005A	Lock ring wear pad	AISI316	2
30	91610TSTC38A4	Screw UNI2009 M3x8	A4-70	4
31	90310A3835	Bushing	Carbon ant.	2
32	902104035A	Sleeve bushing	AISI316	2
33	91710ARHV4220	Bushing tolerance ring	AISI316	2
34	51325CT0005A	Lock ring Volute ring	AISI316	1
35	91610TCEI616A2	Screw UNI5931 M6x16	A2-70	4
36	56540CT0005A	Int. magnet Spacer	AISI316	1
37	55820T0005NA	Internal magnet	AISI316/NdFeB	1
38	55610A16508	Rear casing	AISI316	1
39	91510P11951045	Rear casing gasket	PTFE	1
40	56110T000616C	Bracket	WCB	1
41	55810T000516N1	External magnet	A105/NdFeB	1
42	91610TE1255A2	Screw UNI24017 M12x55	A2-70	4
43	91630N1224A2	Washer UNI6592 D.12x24	A2-70	8
44	91620N12A2	Nut UNI5588 M12	A2-70	4

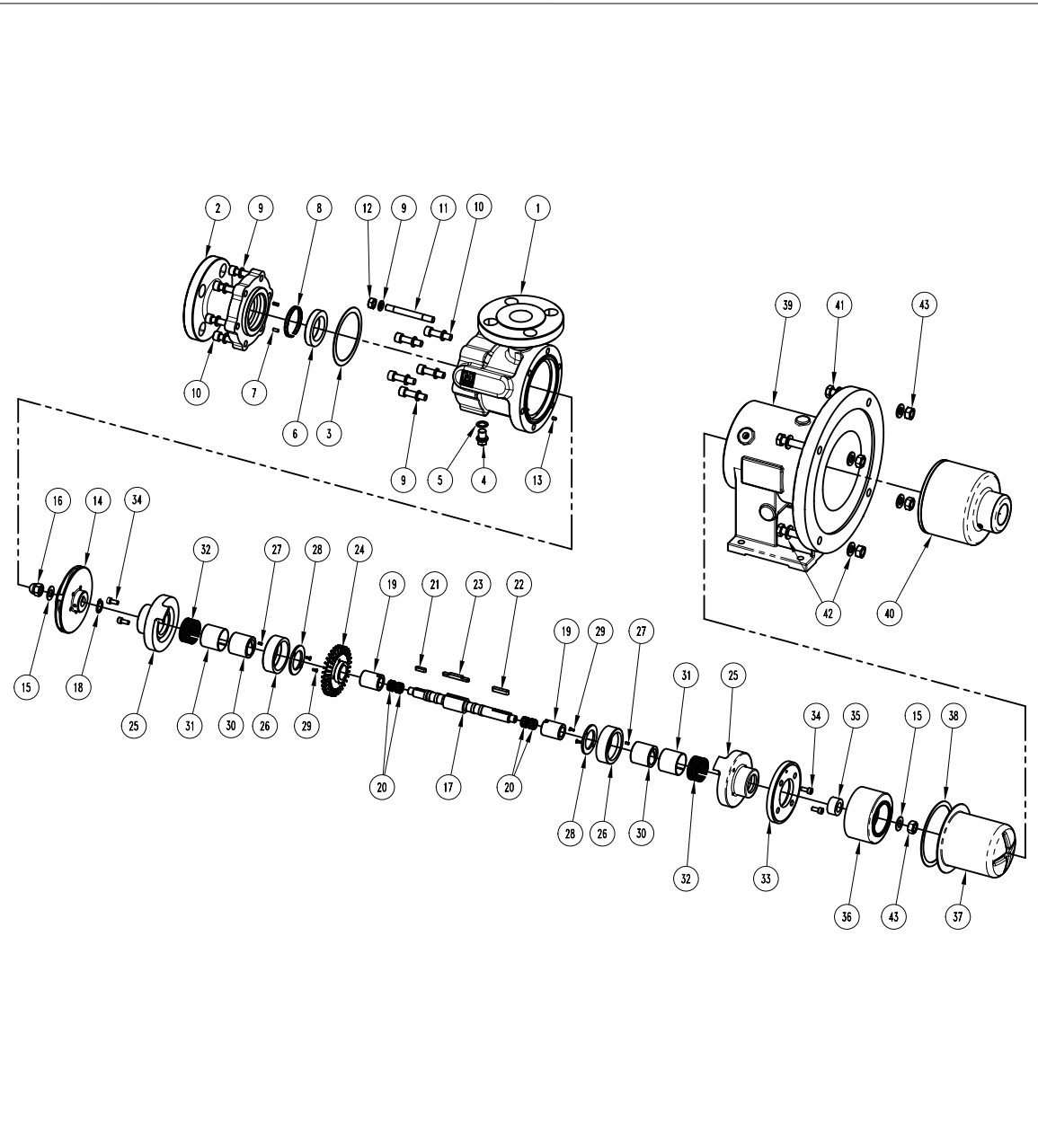
ITEM: Pump model: CT MAG-M 5

Motor: IEC Gr 132
Port connection: Flanged
ANSI (ASA) B16.5 300 lbs / UNI EN1092-1 PN.40

- This drawing is for reference only

EXPLODED VIEW

CODE: E10468 Rev.:01



PART LIST

ITEM N°	CODE	Description	Material	Q.ty
1	56210CT0005AUF	Pump Casing	CF8M	1
2	55520CT0005AUF	Pump Casing Cover	CF8M	1
3	91510P1065885	Pump Casing Gasket	PTFE	1
4	53150A97964	Plug 1/4" BSP	AISI316	1
5	91510P198132	Plug Gasket	PTFE	1
6	90140A65109	Thrustbearing	Carbon ant.	1
7	93030D04L10A2	Elastic pin Ø4x10	A2-70	2
8	51710ERHV6506	Casing tolerance ring	AISI304	1
9	91630S1017A2	Washer UNI1751 D.10x17	A2-70	12
10	91610TCEI104088Z	Screw UNI5931 M10x40	CL.8.8 Zinc.	11
11	91610P109488Z	Stud bolt M10x94	CL.8.8 Zinc.	1
12	91620N1088Z	Nut UNI5588 M10	CL.8.8 Zinc.	1
13	93030D04L06A2	Elastic pin Ø4x6	A2-70	1
14	55710CM002086A	Centrifugal Impeller	CF8M	1
15	91630L1319A4	Washer NORD LOCK D.12x19.5	A4-70	2
16	91620C12A4	Blind Nut UNI5721 M12	A4-70	1
17	55010CT0005A	Shaft	AISI316	1
18	93040D18A4	Sege UNI7435 A18	A4-70	1
19	902202835S	Sleeve shaft	SSiC	2
20	91710ARSV1610	Shaft tolerance ring	AISI316	4
21	91640A5520A2	Key UNI6604/A 5x5x20	A2-70	1
22	91640A6632A2	Key UNI6604/A 6x6x32	A2-70	1
23	91640A6652A4S	Special Key 6x6x52	A4-70	1
24	55710T0006A	Impeller	AISI316	1
25	55120CT006A	Volute ring	AISI316	2
26	93010T005PA	Wear pad	Carbon ant.	2
27	93030D03L06A2	Elastic pin Ø3x6	A2-70	2
28	90120T0005A	Lock ring wear pad	AISI316	2
29	91610TSTC38A4	Screw UNI2009 M3x8	A4-70	4
30	90310A3835	Bushing	Carbon ant.	2
31	902104035A	Sleeve bushing	AISI316	2
32	91710ARHV4220	Bushing tolerance ring	AISI316	2
33	51325CT0005A	Lock ring Volute ring	AISI316	1
34	91610TCEI616A2	Screw UNI5931 M6x16	A2-70	4
35	56540CT0005A	Int. magnet Spacer	AISI316	1
36	55820T0005NA	Internal magnet	AISI316/NdFeB	1
37	55610A16508	Rear casing	AISI316	1
38	91510P11951045	Rear casing gasket	PTFE	1
39	56110T00051214C	Bracket	WCB	1
40	55810T000512N1	External magnet	A105/NdFeB	1
41	91610TE1255A2	Screw UNI24017 M12x55	A2-70	4
42	91630N1224A2	Washer UNI6592 D.12x24	A2-70	8
43	91620N12A2	Nut UNI5588 M12	A2-70	4

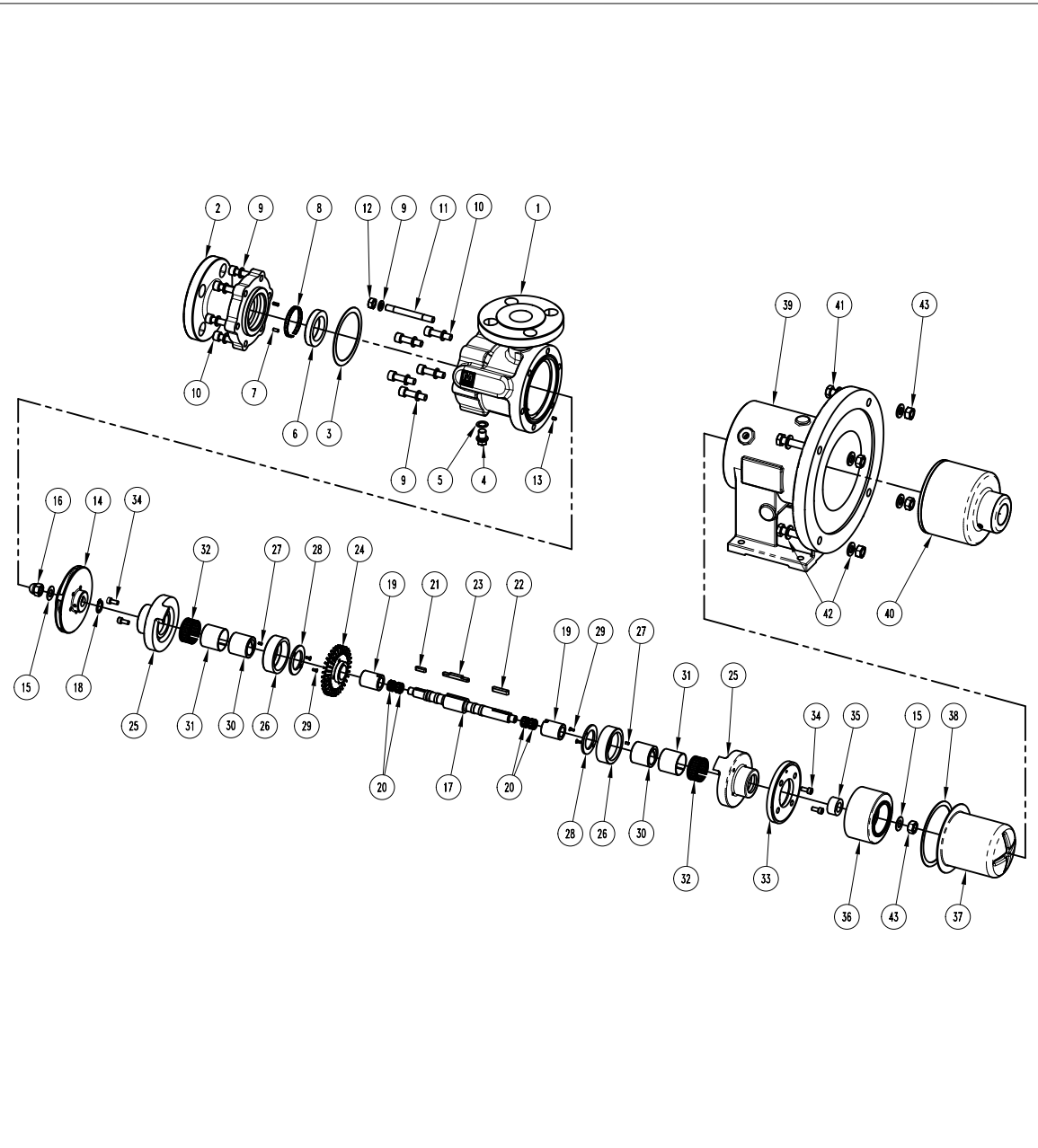
ITEM: Pump model: CT MAG-M 6

Motor: IEC Gr 100/112
Port connection: Flanged
ANSI (ASA) B16.5 300 lbs / UNI EN1092-1 PN.40

- This drawing is for reference only

EXPLODED VIEW

CODE: E10469 Rev.:01



PART LIST

ITEM N°	CODE	Description	Material	Q.ty
1	56210CT0005AUF	Pump Casing	CF8M	1
2	55520CT0005AUF	Pump Casing Cover	CF8M	1
3	91510P1065885	Pump Casing Gasket	PTFE	1
4	53150A97964	Plug 1/4" BSP	AISI316	1
5	91510P198132	Plug Gasket	PTFE	1
6	90140A65109	Thrustbearing	Carbon ant.	1
7	93030D04L10A2	Elastic pin #4x10	A2-70	2
8	51710ERHV6506	Casing tolerance ring	AISI304	1
9	91630S1017A2	Washer UNI1751 D.10x17	A2-70	12
10	91610TCE1104088Z	Screw UNI5931 M10x40	CL.8.8 Zinc.	11
11	91610P109488Z	Stud bolt M10x94	CL.8.8 Zinc.	1
12	91620N1088Z	Nut UNI5588 M10	CL.8.8 Zinc.	1
13	93030D04L06A2	Elastic pin #4x6	A2-70	1
14	55710CM002086A	Centrifugal Impeller	CF8M	1
15	91630L1319A4	Washer NORD LOCK D.12x19.5	A4-70	2
16	91620C12A4	Blind Nut UNI5721 M12	A4-70	1
17	55010CT0005A	Shaft	AISI316	1
18	93040D18A4	Sege UNI7435 A18	A4-70	1
19	902202835S	Sleeve shaft	SSiC	2
20	91710ARSV1610	Shaft tolerance ring	AISI316	4
21	91640A5520A2	Key UNI6604/A 5x5x20	A2-70	1
22	91640A6632A2	Key UNI6604/A 6x6x32	A2-70	1
23	91640A6652A4S	Special Key 6x6x52	A4-70	1
24	55710T0006A	Impeller	AISI316	1
25	55120CT006A	Volute ring	AISI316	2
26	93010T005PA	Wear pad	Carbon ant.	2
27	93030D03L06A2	Elastic pin #3x6	A2-70	2
28	90120T0005A	Lock ring wear pad	AISI316	2
29	91610TSTC38A4	Screw UNI2009 M3x8	A4-70	4
30	90310A3835	Bushing	Carbon ant.	2
31	902104035A	Sleeve bushing	AISI316	2
32	91710ARHV4220	Bushing tolerance ring	AISI316	2
33	51325CT0005A	Lock ring Volute ring	AISI316	1
34	91610TCE1616A2	Screw UNI5931 M6x16	A2-70	4
35	56540CT0005A	Int. magnet Spacer	AISI316	1
36	55820T0005NA	Internal magnet	AISI316/NdFeB	1
37	55610A16508	Rear casing	AISI316	1
38	91510P11951045	Rear casing gasket	PTFE	1
39	56110T000616C	Bracket	WCB	1
40	55810T000516N1	External magnet	A105/NdFeB	1
41	91610TE1255A2	Screw UNI24017 M12x55	A2-70	4
42	91630N1224A2	Washer UNI6592 D.12x24	A2-70	8
43	91620N12A2	Nut UNI5588 M12	A2-70	4

ITEM: Pump model: CT MAG-M 6

Motor: IEC Gr 132
Port connection: Flanged
ANSI (ASA) B16.5 300 lbs / UNI EN1092-1 PN.40

- This drawing is for reference only

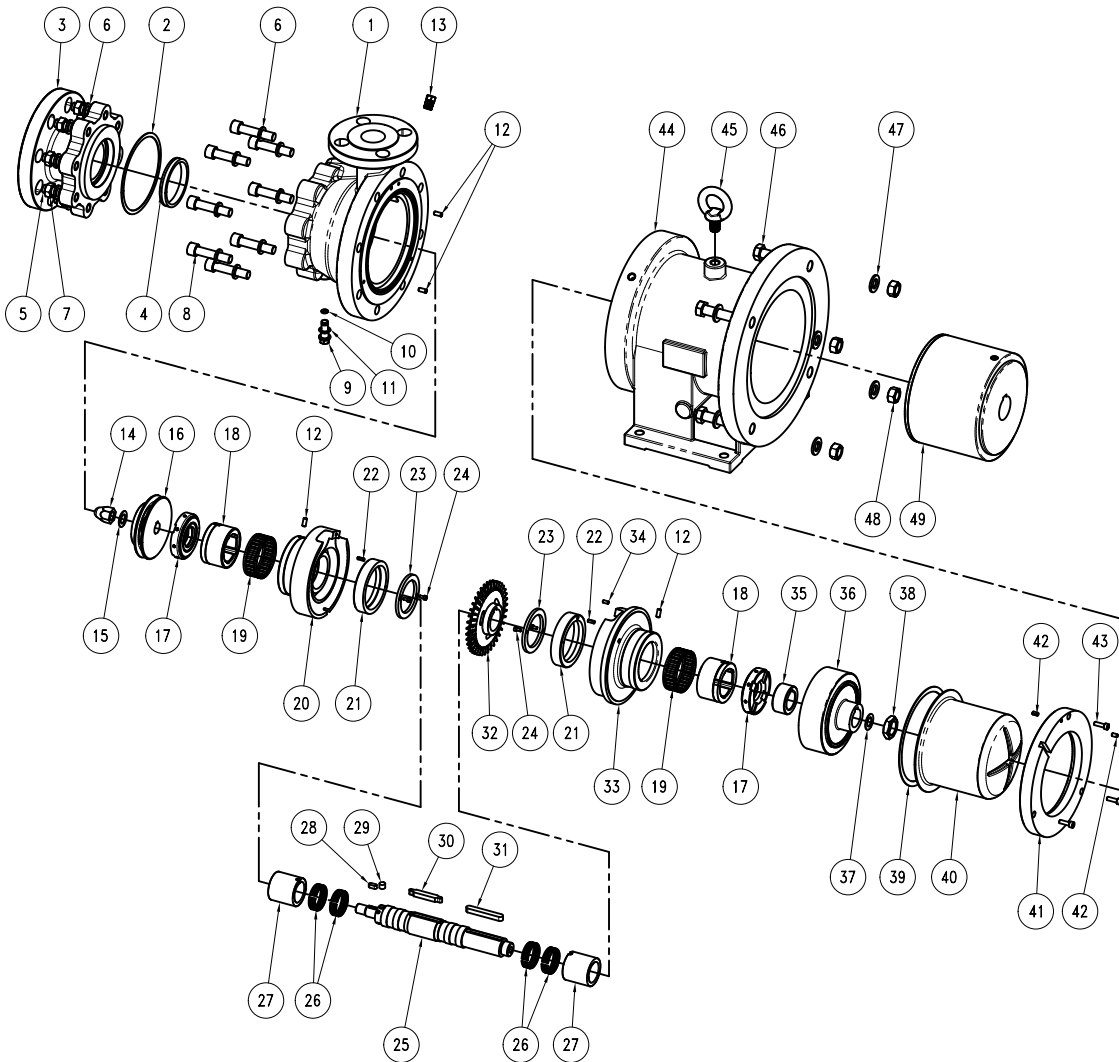
EXPLODED VIEW

CODE: E10470 Rev.:01



PART LIST

ITEM N°	CODE	Description	Material	Q.ty
1	56210CT0007AUF	Pump Casing	CF8M	1
2	91510P14351305	Pump Casing Gasket	PTFE	1
3	55520CT0007AUF	Pump Casing Cover	CF8M	1
4	55110CX04B8510I	Wear ring	AI3136	1
5	91610P1463A2	Stud bolt M14x63	AI3136	8
6	91630S1424A2	Washer UNI1851 D.14x24	A2-70	16
7	91620N14A2	Nut UNI5588 M14	A2-70	8
8	91610TCE11465A2	Screw UNI5931 M14x65	A2-70	8
9	53150A99525	Plug 1/4" BSP	AI3136	1
10	91510P195135	Plug Gasket	PTFE	1
11	92910V813	O-ring 5-664 V0884-75	VITON	1
12	916700614A2	Socket screw UNI5923 M6x14	A2-70	4
13	9315014MA	Plug 1/4" NPT	AI3136	1
14	91690016A2	Impeller Nut	CF8M	1
15	91630L1725A4	Washer NORD LOCK D.16x25.4	A4-70	1
16	55710CT0007A	Centrifugal Impeller	CF8M	1
17	56010C002A	Thrust bearing	AI3136/SSIC	2
18	50310A7040CT	Bushing	Carbon Ant.	2
19	91710ARHV7025	Bushing Tolerance ring	AI3136	2
20	55120T0007AA	Front Volute ring	AI3136	1
21	93010T0007A	Wear pad	Carbon Ant.	2
22	93030D04L12A2	Elastic pin #4x12	A2-70	2
23	90120T0007A	Lock ring wear pad	AI3136	2
24	91610TCE1408A2	Screw UNI5931 M4x8	A2-70	4
25	55010CT0007J	Shaft	AI3136	1
26	91710ARSV5012	Shaft Tolerance ring	AI3136	4
27	902205048S	Sleeve shaft	SSIC	2
28	91640A6615A2	Key UNI6604 6x6x15	A2-70	1
29	56610D100008A	Special Key #10x8	AI3136	1
30	51640A10863A4S	Special Key 10x8x63	A4-70	1
31	91640A10870A2	Key UNI6604 10x8x70	A2-70	1
32	55710T0007A	Impeller	AI3136	1
33	55120T0007AP	Rear Volute ring	AI3136	1
34	93030D04L10A2	Elastic pin #4x10	A2-70	1
35	50310A500238	Int. Magnet spacer	AI3136	1
36	55820C0005NA	Internal magnet	AI3136/NdFeB	1
37	91630L2439A4	Washer NORD LOCK D.24x39	A4-70	1
38	91620R24A4	Nut UNI5589 M24	A4-70	1
39	91510P176158	Rear casing Gasket	PTFE	1
40	55610C006BH	Rear Casing	HC276	1
41	51310AC003D	Rear Casing Lock Flange	AI3136	1
42	93030D05L10A2	Elastic pin #5x10	A2-70	2
43	91610TCE1625A2	Screw UNI5931 M6x25	A2-70	3
44	92510T000718C	Bracket	WCB	1
45	91615M16	Eye bolt M16	Fe Zinc	1
46	91610TE1670A2	Screw UNI24017 M16x70	A2-70	4
47	91630N1630A2	Washer UNI6592 D.16x30	A2-70	8
48	91620N16A2	Nut UNI5588 M16	A2-70	4
49	55810C000518N	External magnet	A105/NdFeB	1



Pump model: CT MAG-M 7
 ITEM:
 Magnetic joint: F1-F1

Motor: IEC Gr 160
 Port connection: Flanged
 ANSI (ASA) B16.5 300 lbs / UNI EN1092-1 PN.40

- This drawing is for reference only

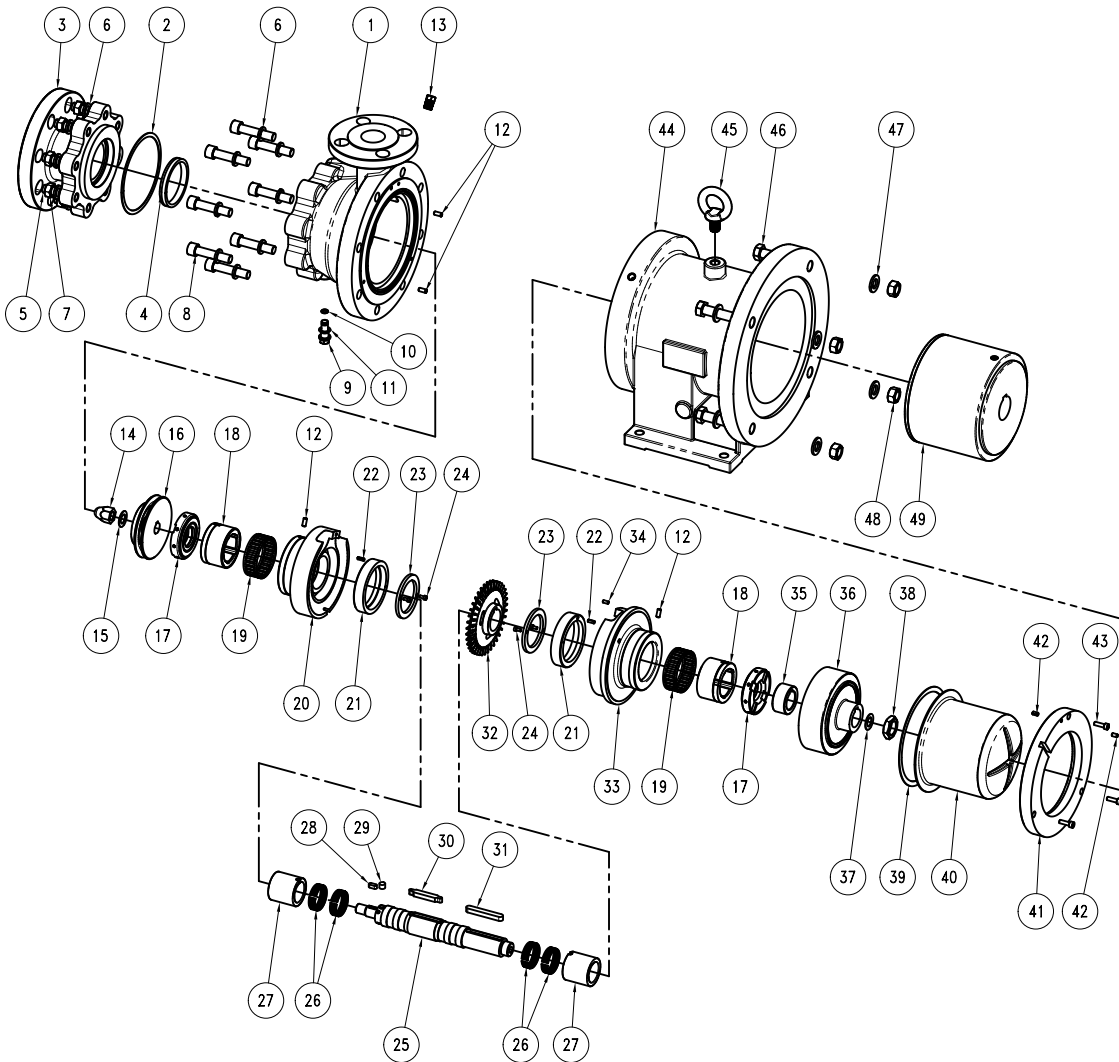
EXPLODED VIEW

CODE: E10486 Rev.:01



PART LIST

ITEM N°	CODE	Description	Material	Q.ty
1	56210CT0007AUF	Pump Casing	CF8M	1
2	91510P14351305	Pump Casing Gasket	PTFE	1
3	55520CT0007AUF	Pump Casing Cover	CF8M	1
4	55110CX04B8510I	Wear ring	AISI316	1
5	91610P1463A2	Stud bolt M14x63	AISI420	8
6	91630S1424A2	Washer UNI1851 D.14x24	A2-70	16
7	91620N14A2	Nut UNI5588 M14	A2-70	8
8	91610TCE11465A2	Screw UNI5931 M14x65	A2-70	8
9	53150A99525	Plug 1/4" BSP	AISI316	1
10	91510P195135	Plug Gasket	PTFE	1
11	92910V813	O-ring 5-664 V0884-75	VITON	1
12	916700614A2	Socket screw UNI5923 M6x14	A2-70	4
13	9315014MA	Plug 1/4" NPT	AISI316	1
14	91690016A2	Impeller Nut	CF8M	1
15	91630L1725A4	Washer NORD LOCK D.16x25.4	A4-70	1
16	55710CT0007A	Centrifugal Impeller	CF8M	1
17	56010C002A	Thrust bearing	AISI316/SSIC	2
18	50310A7040CT	Bushing	Carbon Ant.	2
19	91710ARHV7025	Bushing Tolerance ring	AISI316	2
20	55120T0007AA	Front Volute ring	AISI316	1
21	93010T0007A	Wear pad	Carbon Ant.	2
22	93030D04L12A2	Elastic pin #4x12	A2-70	2
23	90120T0007A	Lock ring wear pad	AISI316	2
24	91610TCE1408A2	Screw UNI5931 M4x8	A2-70	4
25	55010CT0007J	Shaft	AISI316	1
26	91710ARSV5012	Shaft Tolerance ring	AISI316	4
27	902205048S	Sleeve shaft	SSIC	2
28	91640A6615A2	Key UNI6604 6x6x15	A2-70	1
29	56610D100008A	Special Key #10x8	AISI316	1
30	51640A10863A4S	Special Key 10x8x63	A4-70	1
31	91640A10870A2	Key UNI6604 10x8x70	A2-70	1
32	55710T0007A	Impeller	AISI316	1
33	55120T0007AP	Rear Volute ring	AISI316	1
34	93030D04L10A2	Elastic pin #4x10	A2-70	1
35	50310A500238	Int. Magnet spacer	AISI316	1
36	55820C0005NA	Internal magnet	AISI316/NdFeB	1
37	91630L2439A4	Washer NORD LOCK D.24x39	A4-70	1
38	91620R24A4	Nut UNI5589 M24	A4-70	1
39	91510P176158	Rear casing Gasket	PTFE	1
40	55610C006BH	Rear Casing	HC276	1
41	51310AC003D	Rear Casing Lock Flange	AISI316	1
42	93030D05L10A2	Elastic pin #5x10	A2-70	2
43	91610TCE1625A2	Screw UNI5931 M6x25	A2-70	3
44	92510T000718C	Bracket	WCB	1
45	91615M16	Eye bolt M16	Fe Zinc	1
46	91610TE1670A2	Screw UNI24017 M16x70	A2-70	4
47	91630N1630A2	Washer UNI6592 D.16x30	A2-70	8
48	91620N16A2	Nut UNI5588 M16	A2-70	4
49	55810C000520N	External magnet	A105/NdFeB	1



- This drawing is for reference only

Pump model: CT MAG-M 7
ITEM:
Magnetic joint: F1-F1

Motor: IEC Gr 180
Port connection: Flanged
ANSI (ASA) B16.5 300 lbs / UNI EN1092-1 PN.40

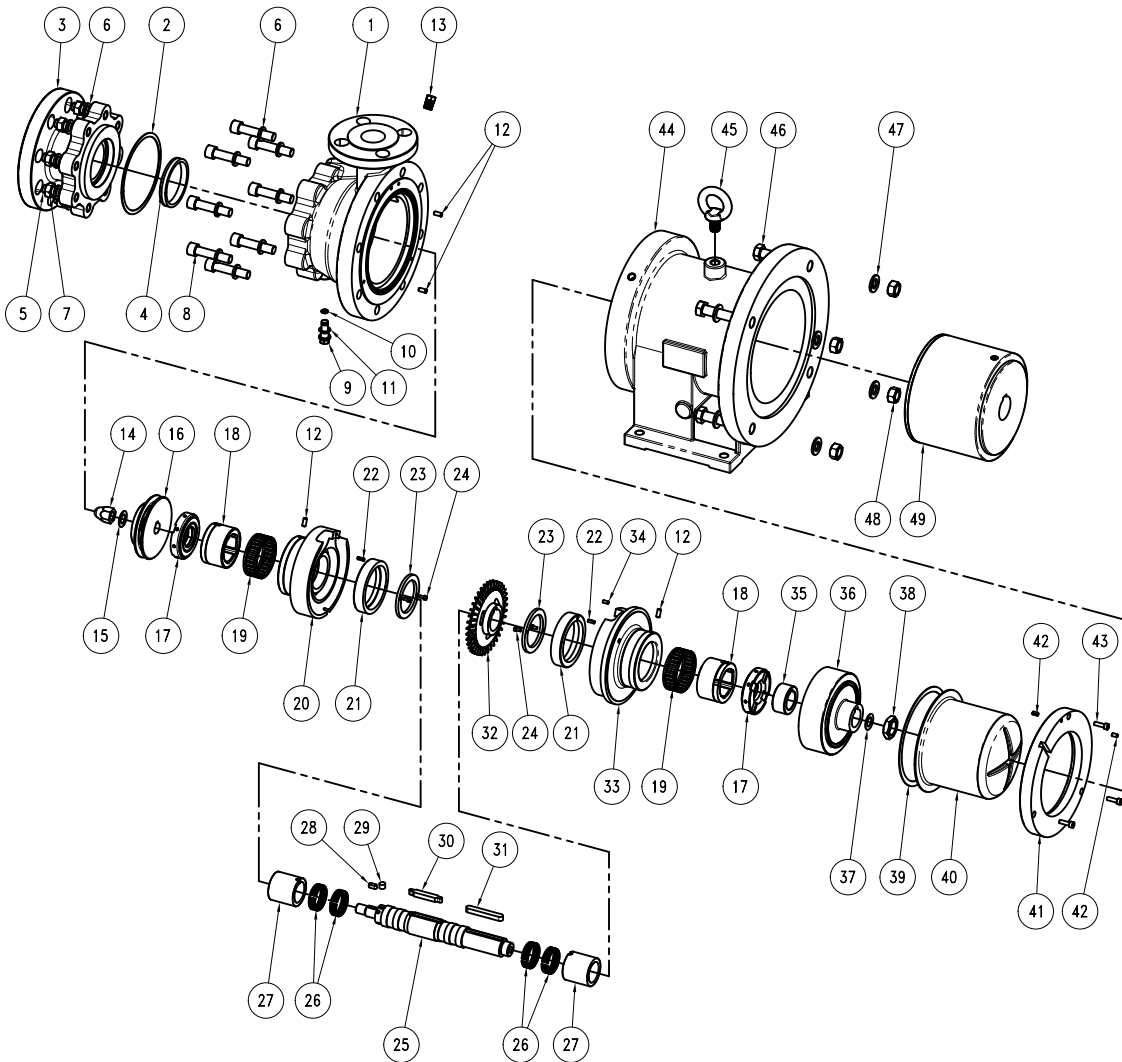
EXPLODED VIEW

CODE: E10471 Rev.:01



PART LIST

ITEM N°	CODE	Description	Material	Q.ty
1	56210CT0007AUF	Pump Casing	CF8M	1
2	91510P14351305	Pump Casing Gasket	PTFE	1
3	55520CT0007AUF	Pump Casing Cover	CF8M	1
4	55110CX04B8510I	Wear ring	AISI316	1
5	91610P1463A2	Stud bolt M14x63	AISI420	8
6	91630S1424A2	Washer UNI1851 D.14x24	A2-70	16
7	91620N14A2	Nut UNI5588 M14	A2-70	8
8	91610TCE11465A2	Screw UNI5931 M14x65	A2-70	8
9	53150A99525	Plug 1/4" BSP	AISI316	1
10	91510P195135	Plug Gasket	PTFE	1
11	92910V813	O-ring 5-664 V0884-75	VITON	1
12	916700614A2	Socket screw UNI5923 M6x14	A2-70	4
13	9315014MA	Plug 1/4" NPT	AISI316	1
14	91690016A2	Impeller Nut	CF8M	1
15	91630L1725A4	Washer NORD LOCK D.16x25.4	A4-70	1
16	55710CT0007A	Centrifugal Impeller	CF8M	1
17	56010C002A	Thrust bearing	AISI316/SSIC	2
18	50310A7040CT	Bushing	Carbon Ant.	2
19	91710ARHV7025	Bushing Tolerance ring	AISI316	2
20	55120T0007AA	Front Volute ring	AISI316	1
21	93010T0007A	Wear pad	Carbon Ant.	2
22	93030D04L12A2	Elastic pin #4x12	A2-70	2
23	90120T0007A	Lock ring wear pad	AISI316	2
24	91610TCE1408A2	Screw UNI5931 M4x8	A2-70	4
25	55010CT0007J	Shaft	AISI316	1
26	91710ARSV5012	Shaft Tolerance ring	AISI316	4
27	902205048S	Sleeve shaft	SSIC	2
28	91640A6615A2	Key UNI6604 6x6x15	A2-70	1
29	56610D100008A	Special Key #10x8	AISI316	1
30	51640A10863A4S	Special Key 10x8x63	A4-70	1
31	91640A10870A2	Key UNI6604 10x8x70	A2-70	1
32	55710T0007A	Impeller	AISI316	1
33	55120T0007AP	Rear Volute ring	AISI316	1
34	93030D04L10A2	Elastic pin #4x10	A2-70	1
35	50310A500238	Int. Magnet spacer	AISI316	1
36	55820C0006NA	Internal magnet	AISI316/NdFeB	1
37	91630L2439A4	Washer NORD LOCK D.24x39	A4-70	1
38	91620R24A4	Nut UNI5589 M24	A4-70	1
39	91510P176158	Rear casing Gasket	PTFE	1
40	55610C006BH	Rear Casing	HC276	1
41	51310AC003D	Rear Casing Lock Flange	AISI316	1
42	93030D05L10A2	Elastic pin #5x10	A2-70	2
43	91610TCE1625A2	Screw UNI5931 M6x25	A2-70	3
44	92510T000722C	Bracket	WCB	1
45	91615M16	Eye bolt M16	Fe Zinc	1
46	91610TE1670A2	Screw UNI24017 M16x70	A2-70	4
47	91630N1630A2	Washer UNI6592 D.16x30	A2-70	8
48	91620N16A2	Nut UNI5588 M16	A2-70	4
49	55810C000622N	External magnet	A105/NdFeB	1



Pump model: CT MAG-M 7
 ITEM:
 Magnetic joint: G1-G1

Motor: IEC Gr 200
 Port connection: Flanged
 ANSI (ASA) B16.5 300 lbs / UNI EN1092-1 PN.40

- This drawing is for reference only

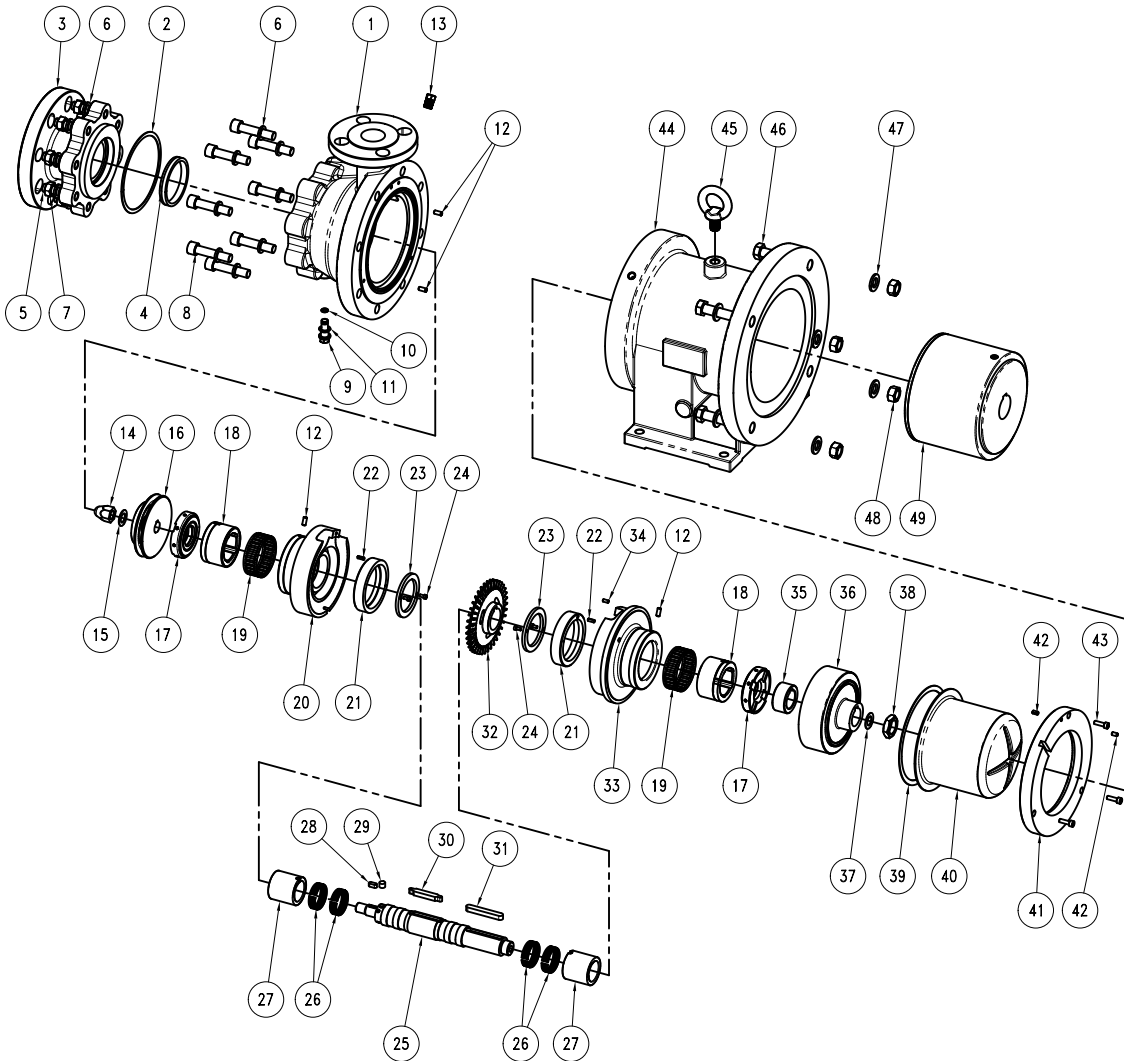
EXPLODED VIEW

CODE: E10472 Rev.:01



PART LIST

ITEM N°	CODE	Description	Material	Q.ty
1	56210CT0007AUF	Pump Casing	CF8M	1
2	91510P14351305	Pump Casing Gasket	PTFE	1
3	55520CT0007AUF	Pump Casing Cover	CF8M	1
4	55110CX04B8510I	Wear ring	AISI316	1
5	91610P1463A2	Stud bolt M14x63	AISI420	8
6	91630S1424A2	Washer UNI1851 D.14x24	A2-70	16
7	91620N14A2	Nut UNI5588 M14	A2-70	8
8	91610TCE11465A2	Screw UNI5931 M14x65	A2-70	8
9	53150A99525	Plug 1/4" BSP	AISI316	1
10	91510P195135	Plug Gasket	PTFE	1
11	92910V813	O-ring 5-664 V0884-75	VITON	1
12	916700614A2	Socket screw UNI5923 M6x14	A2-70	4
13	9315014MA	Plug 1/4" NPT	AISI316	1
14	91690016A2	Impeller Nut	CF8M	1
15	91630L1725A4	Washer NORD LOCK D.16x25.4	A4-70	1
16	55710CT0007A	Centrifugal Impeller	CF8M	1
17	56010C002A	Thrust bearing	AISI316/SSIC	2
18	50310A7040CT	Bushing	Carbon Ant.	2
19	91710ARHV7025	Bushing Tolerance ring	AISI316	2
20	55120T0008AA	Front Volute ring	AISI316	1
21	93010T0007A	Wear pad	Carbon Ant.	2
22	93030D04L12A2	Elastic pin #4x12	A2-70	2
23	90120T0007A	Lock ring wear pad	AISI316	2
24	91610TCE1408A2	Screw UNI5931 M4x8	A2-70	4
25	55010CT0007J	Shaft	AISI316	1
26	91710ARSV5012	Shaft Tolerance ring	AISI316	4
27	902205048S	Sleeve shaft	SSIC	2
28	91640A6615A2	Key UNI6604 6x6x15	A2-70	1
29	56610D100008A	Special Key #10x8	AISI316	1
30	51640A10863A4S	Special Key 10x8x63	A4-70	1
31	91640A10870A2	Key UNI6604 10x8x70	A2-70	1
32	55710T0008A	Impeller	AISI316	1
33	55120T0008AP	Rear Volute ring	AISI316	1
34	93030D04L10A2	Elastic pin #4x10	A2-70	1
35	50310A500238	Int. Magnet spacer	AISI316	1
36	55820C0005NA	Internal magnet	AISI316/NdFeB	1
37	91630L2439A4	Washer NORD LOCK D.24x39	A4-70	1
38	91620R24A4	Nut UNI5589 M24	A4-70	1
39	91510P176158	Rear casing Gasket	PTFE	1
40	55610C006BH	Rear Casing	HC276	1
41	51310AC003D	Rear Casing Lock Flange	AISI316	1
42	93030D05L10A2	Elastic pin #5x10	A2-70	2
43	91610TCE1625A2	Screw UNI5931 M6x25	A2-70	3
44	92510T000718C	Bracket	WCB	1
45	91615M16	Eye bolt M16	Fe Zinc	1
46	91610TE1670A2	Screw UNI24017 M16x70	A2-70	4
47	91630N1630A2	Washer UNI6592 D.16x30	A2-70	8
48	91620N16A2	Nut UNI5588 M16	A2-70	4
49	55810C000518N	External magnet	A105/NdFeB	1



- This drawing is for reference only

Pump model: CT MAG-M 8
 ITEM:
 Magnetic joint: F1-F1

Motor: IEC Gr 160
 Port connection: Flanged
 ANSI (ASA) B16.5 300 lbs / UNI EN1092-1 PN.40

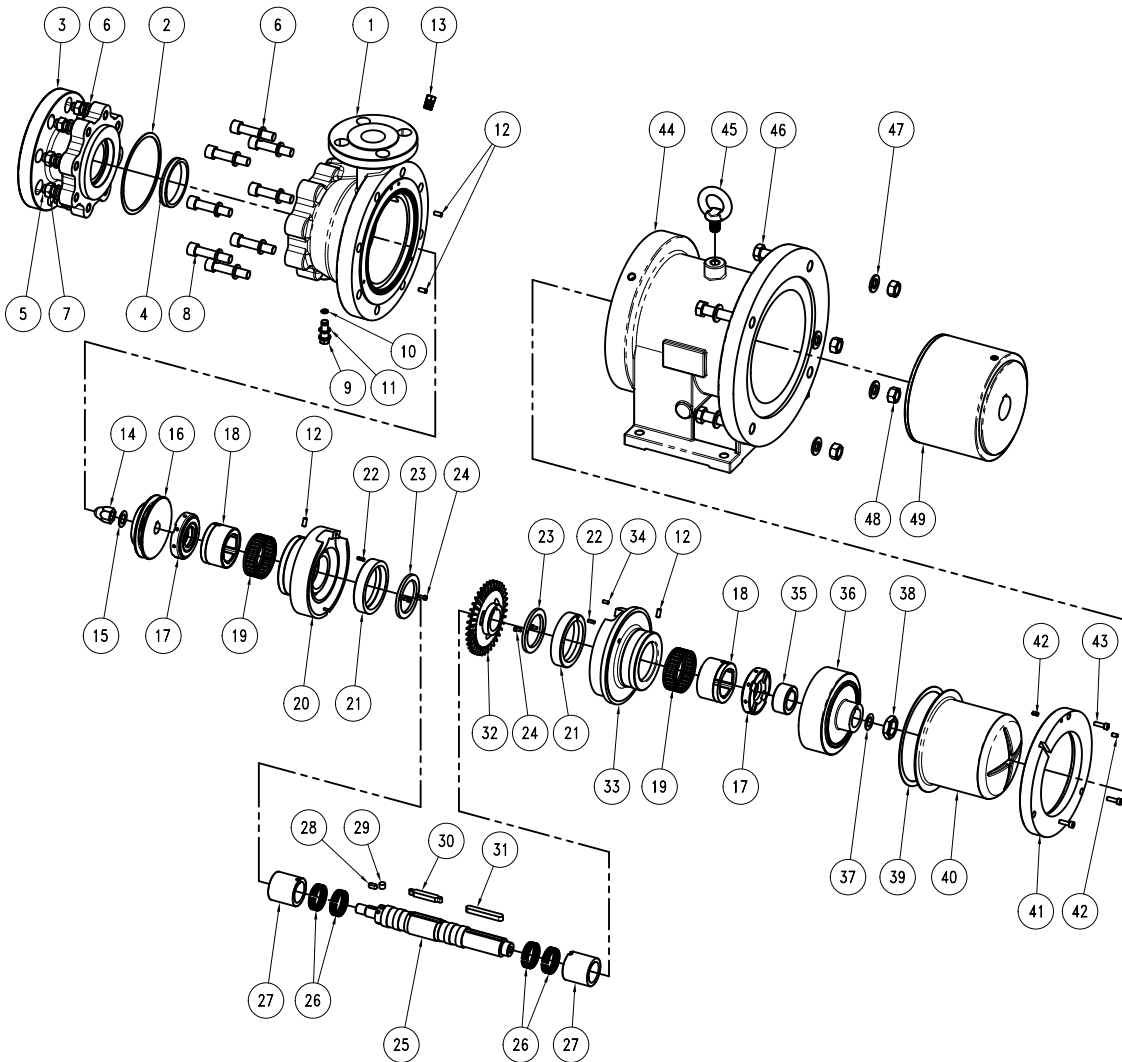
EXPLODED VIEW

CODE: E10488 Rev.:01



PART LIST

ITEM N°	CODE	Description	Material	Q.ty
1	56210CT0007AUF	Pump Casing	CF8M	1
2	91510P14351305	Pump Casing Gasket	PTFE	1
3	55520CT0007AUF	Pump Casing Cover	CF8M	1
4	55110CX04B8510I	Wear ring	AISI316	1
5	91610P1463A2	Stud bolt M14x63	AISI420	8
6	91630S1424A2	Washer UNI1851 D.14x24	A2-70	16
7	91620N14A2	Nut UNI5588 M14	A2-70	8
8	91610TCE11465A2	Screw UNI5931 M14x65	A2-70	8
9	53150A99525	Plug 1/4" BSP	AISI316	1
10	91510P195135	Plug Gasket	PTFE	1
11	92910V813	O-ring 5-664 V0884-75	VITON	1
12	916700614A2	Socket screw UNI5923 M6x14	A2-70	4
13	9315014MA	Plug 1/4" NPT	AISI316	1
14	91690016A2	Impeller Nut	CF8M	1
15	91630L1725A4	Washer NORD LOCK D.16x25.4	A4-70	1
16	55710CT0007A	Centrifugal Impeller	CF8M	1
17	56010C002A	Thrust bearing	AISI316/SSIC	2
18	50310A7040CT	Bushing	Carbon Ant.	2
19	91710ARHV7025	Bushing Tolerance ring	AISI316	2
20	55120T0008AA	Front Volute ring	AISI316	1
21	93010T0007A	Wear pad	Carbon Ant.	2
22	93030D04L12A2	Elastic pin #4x12	A2-70	2
23	90120T0007A	Lock ring wear pad	AISI316	2
24	91610TCE1408A2	Screw UNI5931 M4x8	A2-70	4
25	55010CT0007J	Shaft	AISI316	1
26	91710ARSV5012	Shaft Tolerance ring	AISI316	4
27	902205048S	Sleeve shaft	SSIC	2
28	91640A6615A2	Key UNI6604 6x6x15	A2-70	1
29	56610D100008A	Special Key #10x8	AISI316	1
30	51640A10863A4S	Special Key 10x8x63	A4-70	1
31	91640A10870A2	Key UNI6604 10x8x70	A2-70	1
32	55710T0008A	Impeller	AISI316	1
33	55120T0008AP	Rear Volute ring	AISI316	1
34	93030D04L10A2	Elastic pin #4x10	A2-70	1
35	50310A500238	Int. Magnet spacer	AISI316	1
36	55820C0005NA	Internal magnet	AISI316/NdFeB	1
37	91630L2439A4	Washer NORD LOCK D.24x39	A4-70	1
38	91620R24A4	Nut UNI5589 M24	A4-70	1
39	91510P176158	Rear casing Gasket	PTFE	1
40	55610C006BH	Rear Casing	HC276	1
41	51310AC003D	Rear Casing Lock Flange	AISI316	1
42	93030D05L10A2	Elastic pin #5x10	A2-70	2
43	91610TCE1625A2	Screw UNI5931 M6x25	A2-70	3
44	92510T000718C	Bracket	WCB	1
45	91615M16	Eye bolt M16	Fe Zinc	1
46	91610TE1670A2	Screw UNI24017 M16x70	A2-70	4
47	91630N1630A2	Washer UNI6592 D.16x30	A2-70	8
48	91620N16A2	Nut UNI5588 M16	A2-70	4
49	55810C000520N	External magnet	A105/NdFeB	1



Pump model: CT MAG-M 8
 ITEM:
 Magnetic joint: F1-F1

Motor: IEC Gr 180
 Port connection: Flanged
 ANSI (ASA) B16.5 300 lbs / UNI EN1092-1 PN.40

- This drawing is for reference only

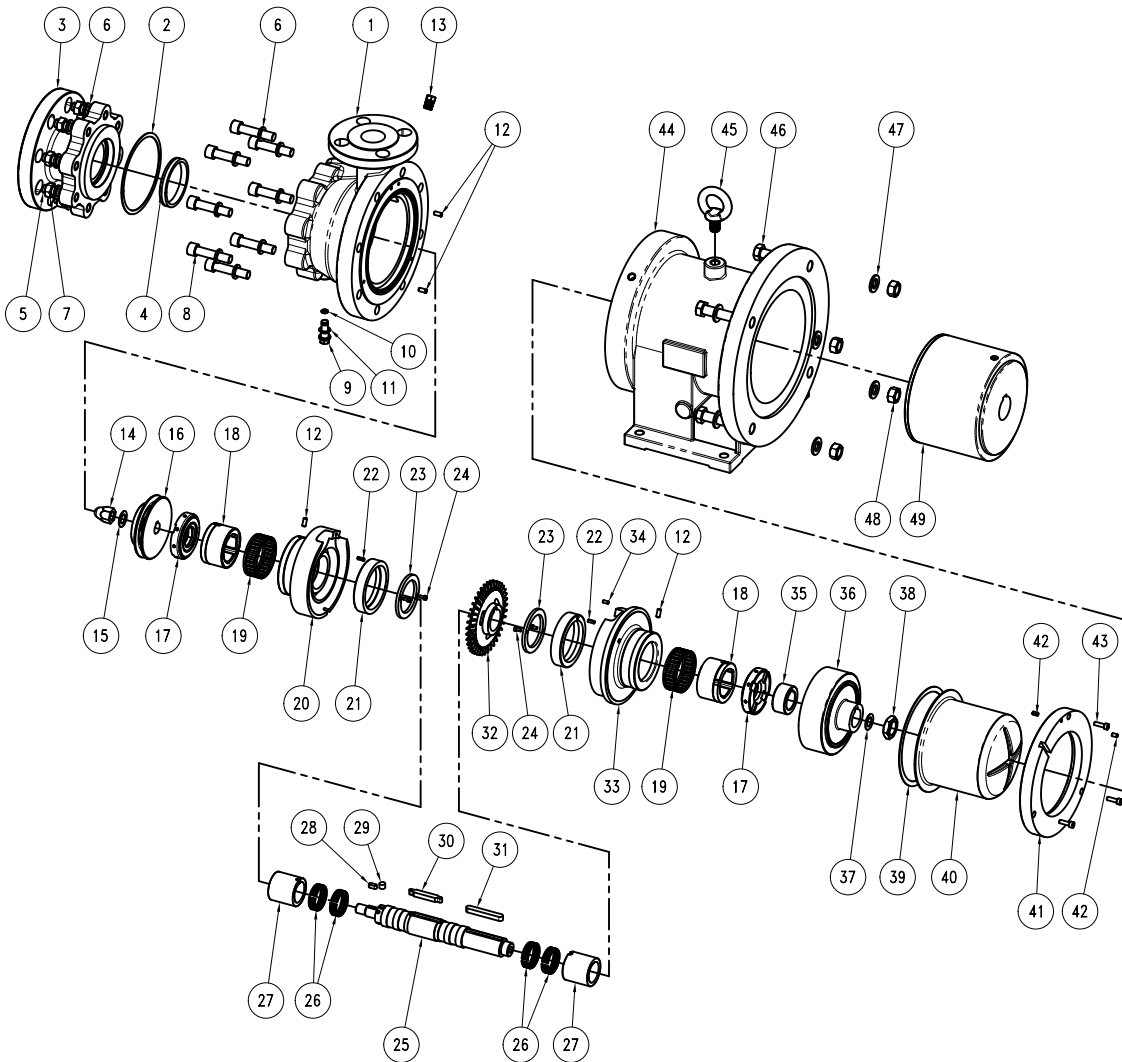
EXPLODED VIEW

CODE: E10473 Rev.:01



PART LIST

ITEM N°	CODE	Description	Material	Q.ty
1	56210CT0007AUF	Pump Casing	CF8M	1
2	91510P14351305	Pump Casing Gasket	PTFE	1
3	55520CT0007AUF	Pump Casing Cover	CF8M	1
4	55110CX04B8510I	Wear ring	AISI316	1
5	91610P1463A2	Stud bolt M14x63	AISI420	8
6	91630S1424A2	Washer UNI1851 D.14x24	A2-70	16
7	91620N14A2	Nut UNI5588 M14	A2-70	8
8	91610TCE11465A2	Screw UNI5931 M14x65	A2-70	8
9	53150A99525	Plug 1/4" BSP	AISI316	1
10	91510P195135	Plug Gasket	PTFE	1
11	92910V813	O-ring 5-664 V0884-75	VITON	1
12	916700614A2	Socket screw UNI5923 M6x14	A2-70	4
13	9315014MA	Plug 1/4" NPT	AISI316	1
14	91690016A2	Impeller Nut	CF8M	1
15	91630L1725A4	Washer NORD LOCK D.16x25.4	A4-70	1
16	55710CT0007A	Centrifugal Impeller	CF8M	1
17	56010C002A	Thrust bearing	AISI316/SSIC	2
18	50310A7040CT	Bushing	Carbon Ant.	2
19	91710ARHV7025	Bushing Tolerance ring	AISI316	2
20	55120T0008AA	Front Volute ring	AISI316	1
21	93010T0007A	Wear pad	Carbon Ant.	2
22	93030D04L12A2	Elastic pin #4x12	A2-70	2
23	90120T0007A	Lock ring wear pad	AISI316	2
24	91610TCE1408A2	Screw UNI5931 M4x8	A2-70	4
25	55010CT0007J	Shaft	AISI316	1
26	91710ARSV5012	Shaft Tolerance ring	AISI316	4
27	90220S048S	Sleeve shaft	SSIC	2
28	91640A6615A2	Key UNI6604 6x6x15	A2-70	1
29	56610D100008A	Special Key #10x8	AISI316	1
30	51640A10863A4S	Special Key 10x8x63	A4-70	1
31	91640A10870A2	Key UNI6604 10x8x70	A2-70	1
32	55710T0008A	Impeller	AISI316	1
33	55120T0008AP	Rear Volute ring	AISI316	1
34	93030D04L10A2	Elastic pin #4x10	A2-70	1
35	50310A500238	Int. Magnet spacer	AISI316	1
36	55820C0006NA	Internal magnet	AISI316/NdFeB	1
37	91630L2439A4	Washer NORD LOCK D.24x39	A4-70	1
38	91620R24A4	Nut UNI5589 M24	A4-70	1
39	91510P176158	Rear casing Gasket	PTFE	1
40	55610C006BH	Rear Casing	HC276	1
41	51310AC003D	Rear Casing Lock Flange	AISI316	1
42	93030D05L10A2	Elastic pin #5x10	A2-70	2
43	91610TCE1625A2	Screw UNI5931 M6x25	A2-70	3
44	92510T000722C	Bracket	WCB	1
45	91615M16	Eye bolt M16	Fe Zinc	1
46	91610TE1670A2	Screw UNI24017 M16x70	A2-70	4
47	91630N1630A2	Washer UNI6592 D.16x30	A2-70	8
48	91620N16A2	Nut UNI5588 M16	A2-70	4
49	55810C000622N	External magnet	A105/NdFeB	1



Pump model: CT MAG-M 8
 ITEM:
 Magnetic joint: G1-G1

Motor: IEC Gr 200
 Port connection: Flanged
 ANSI (ASA) B16.5 300 lbs / UNI EN1092-1 PN.40

- This drawing is for reference only

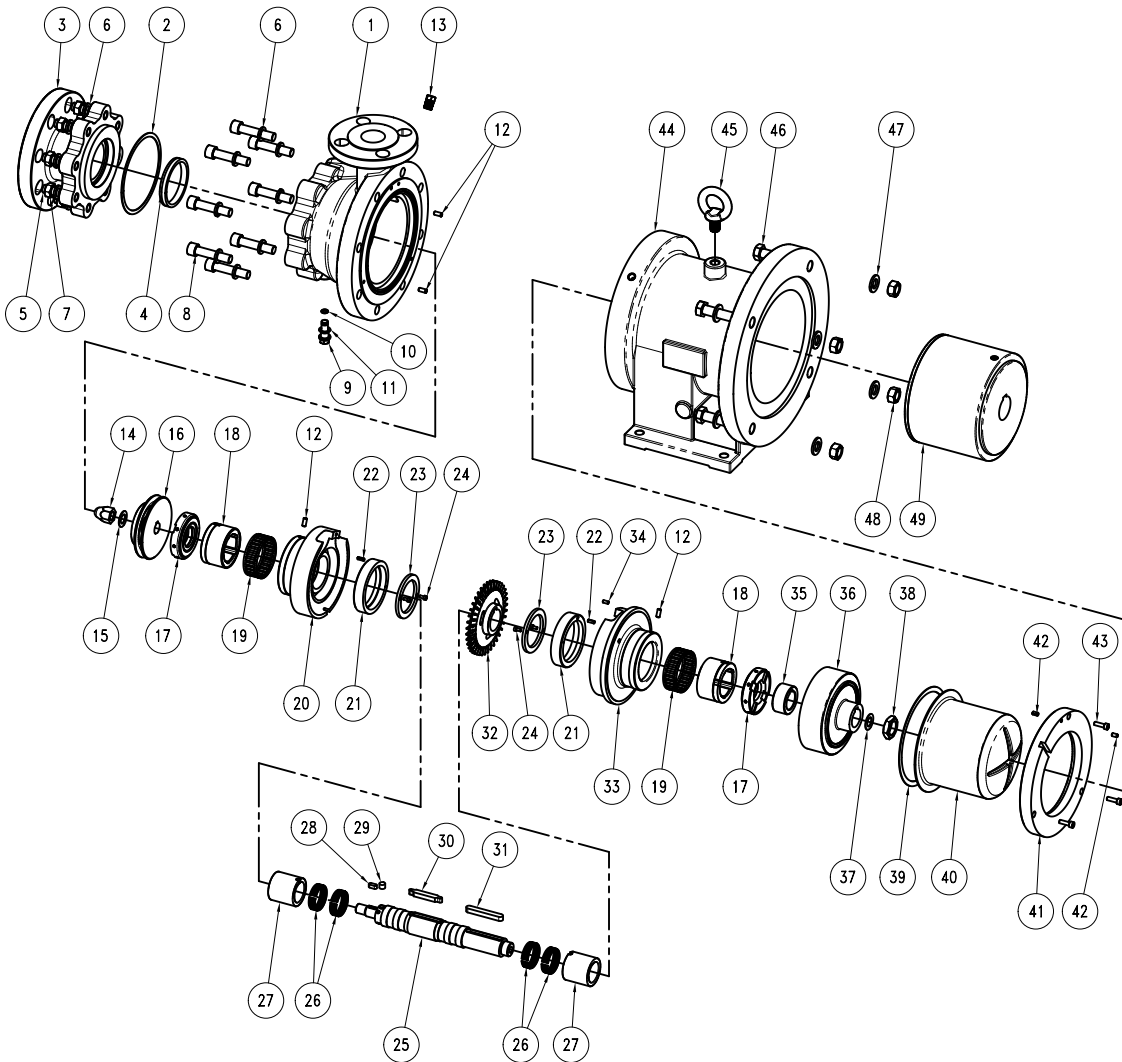
EXPLODED VIEW

CODE: E10474 Rev.:01



PART LIST

ITEM N°	CODE	Description	Material	Q.ty
1	56210CT0007AUF	Pump Casing	CF8M	1
2	91510P14351305	Pump Casing Gasket	PTFE	1
3	55520CT0007AUF	Pump Casing Cover	CF8M	1
4	55110CX04B8510I	Wear ring	AISI316	1
5	91610P1463A2	Stud bolt M14x63	AISI420	8
6	91630S1424A2	Washer UNI1851 D.14x24	A2-70	16
7	91620N14A2	Nut UNI5588 M14	A2-70	8
8	91610TCE11465A2	Screw UNI5931 M14x65	A2-70	8
9	53150A99525	Plug 1/4" BSP	AISI316	1
10	91510P195135	Plug Gasket	PTFE	1
11	92910V813	O-ring 5-664 V0884-75	VITON	1
12	916700614A2	Socket screw UNI5923 M6x14	A2-70	4
13	9315014MA	Plug 1/4" NPT	AISI316	1
14	91690016A2	Impeller Nut	CF8M	1
15	91630L1725A4	Washer NORD LOCK D.16x25.4	A4-70	1
16	55710CT0007A	Centrifugal Impeller	CF8M	1
17	56010C002A	Thrust bearing	AISI316/SSIC	2
18	50310A7040CT	Bushing	Carbon Ant.	2
19	91710ARHV7025	Bushing Tolerance ring	AISI316	2
20	55120T0009AA	Front Volute ring	AISI316	1
21	93010T0007A	Wear pad	Carbon Ant.	2
22	93030D04L12A2	Elastic pin #4x12	A2-70	2
23	90120T0007A	Lock ring wear pad	AISI316	2
24	91610TCE1408A2	Screw UNI5931 M4x8	A2-70	4
25	55010CT0007J	Shaft	AISI316	1
26	91710ARSV5012	Shaft Tolerance ring	AISI316	4
27	90220S048S	Sleeve shaft	SSIC	2
28	91640A6615A2	Key UNI6604 6x6x15	A2-70	1
29	56610D100008A	Special Key #10x8	AISI316	1
30	51640A10863A4S	Special Key 10x8x63	A4-70	1
31	91640A10870A2	Key UNI6604 10x8x70	A2-70	1
32	55710T0009A	Impeller	AISI316	1
33	55120T0009AP	Rear Volute ring	AISI316	1
34	93030D04L10A2	Elastic pin #4x10	A2-70	1
35	50310A500238	Int. Magnet spacer	AISI316	1
36	55820C0005NA	Internal magnet	AISI316/NdFeB	1
37	91630L2439A4	Washer NORD LOCK D.24x39	A4-70	1
38	91620R24A4	Nut UNI5589 M24	A4-70	1
39	91510P176158	Rear casing Gasket	PTFE	1
40	55610C006BH	Rear Casing	HC276	1
41	51310AC003D	Rear Casing Lock Flange	AISI316	1
42	93030D05L10A2	Elastic pin #5x10	A2-70	2
43	91610TCE1625A2	Screw UNI5931 M6x25	A2-70	3
44	92510T000718C	Bracket	WCB	1
45	91615M16	Eye bolt M16	Fe Zinc	1
46	91610TE1670A2	Screw UNI24017 M16x70	A2-70	4
47	91630N1630A2	Washer UNI6592 D.16x30	A2-70	8
48	91620N16A2	Nut UNI5588 M16	A2-70	4
49	55810C000518N	External magnet	A105/NdFeB	1



Pump model: CT MAG-M 9
 ITEM:
 Magnetic joint: F1-F1

Motor: IEC Gr 160
 Port connection: Flanged
 ANSI (ASA) B16.5 300 lbs / UNI EN1092-1 PN.40

- This drawing is for reference only

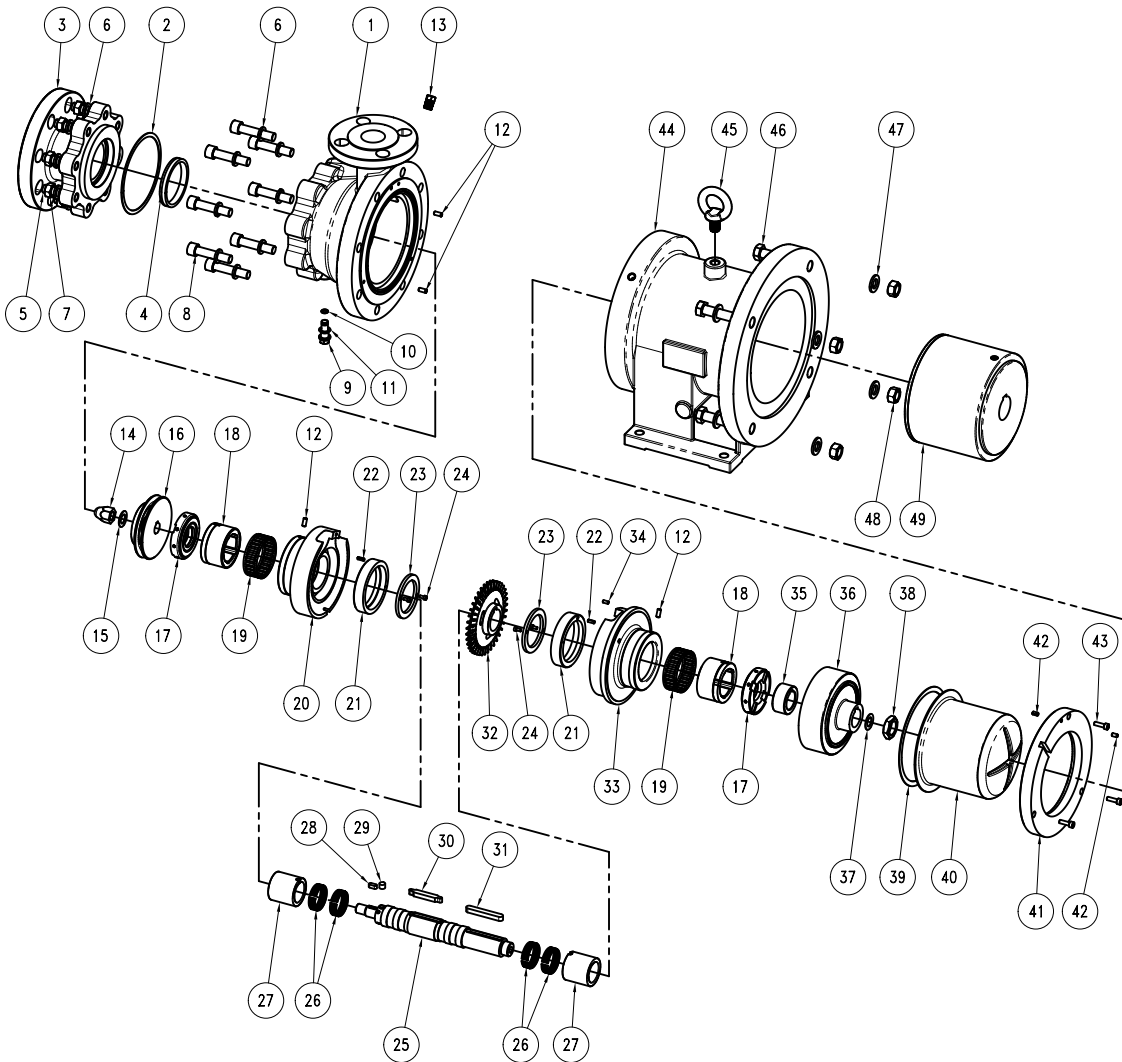
EXPLODED VIEW

CODE: E10490 Rev.:01



PART LIST

ITEM N°	CODE	Description	Material	Q.ty
1	56210CT0007AUF	Pump Casing	CF8M	1
2	91510P14351305	Pump Casing Gasket	PTFE	1
3	55520CT0007AUF	Pump Casing Cover	CF8M	1
4	55110CX04B8510I	Wear ring	AISI316	1
5	91610P1463A2	Stud bolt M14x63	AISI420	8
6	91630S1424A2	Washer UNI1851 D.14x24	A2-70	16
7	91620N14A2	Nut UNI5588 M14	A2-70	8
8	91610TCE11465A2	Screw UNI5931 M14x65	A2-70	8
9	53150A99525	Plug 1/4" BSP	AISI316	1
10	91510P195135	Plug Gasket	PTFE	1
11	92910V813	O-ring 5-664 V0884-75	VITON	1
12	916700614A2	Socket screw UNI5923 M6x14	A2-70	4
13	9315014MA	Plug 1/4" NPT	AISI316	1
14	91690016A2	Impeller Nut	CF8M	1
15	91630L1725A4	Washer NORD LOCK D.16x25.4	A4-70	1
16	55710CT0007A	Centrifugal Impeller	CF8M	1
17	56010C002A	Thrust bearing	AISI316/SSIC	2
18	50310A7040CT	Bushing	Carbon Ant.	2
19	91710ARHV7025	Bushing Tolerance ring	AISI316	2
20	55120T0009AA	Front Volute ring	AISI316	1
21	93010T0007A	Wear pad	Carbon Ant.	2
22	93030D04L12A2	Elastic pin #4x12	A2-70	2
23	90120T0007A	Lock ring wear pad	AISI316	2
24	91610TCE1408A2	Screw UNI5931 M4x8	A2-70	4
25	55010CT0007J	Shaft	AISI316	1
26	91710ARSV5012	Shaft Tolerance ring	AISI316	4
27	90220S048S	Sleeve shaft	SSIC	2
28	91640A6615A2	Key UNI6604 6x6x15	A2-70	1
29	56610D100008A	Special Key #10x8	AISI316	1
30	51640A10863A4S	Special Key 10x8x63	A4-70	1
31	91640A10870A2	Key UNI6604 10x8x70	A2-70	1
32	55710T0009A	Impeller	AISI316	1
33	55120T0009AP	Rear Volute ring	AISI316	1
34	93030D04L10A2	Elastic pin #4x10	A2-70	1
35	50310A500238	Int. Magnet spacer	AISI316	1
36	55820C0005NA	Internal magnet	AISI316/NdFeB	1
37	91630L2439A4	Washer NORD LOCK D.24x39	A4-70	1
38	91620R24A4	Nut UNI5589 M24	A4-70	1
39	91510P176158	Rear casing Gasket	PTFE	1
40	55610C006BH	Rear Casing	HC276	1
41	51310AC003D	Rear Casing Lock Flange	AISI316	1
42	93030D05L10A2	Elastic pin #5x10	A2-70	2
43	91610TCE1625A2	Screw UNI5931 M6x25	A2-70	3
44	92510T000718C	Bracket	WCB	1
45	91615M16	Eye bolt M16	Fe Zinc	1
46	91610TE1670A2	Screw UNI24017 M16x70	A2-70	4
47	91630N1630A2	Washer UNI6592 D.16x30	A2-70	8
48	91620N16A2	Nut UNI5588 M16	A2-70	4
49	55810C000520N	External magnet	A105/NdFeB	1



- This drawing is for reference only

Pump model: CT MAG-M 9
 ITEM:
 Magnetic joint: F1-F1

Motor: IEC Gr 180
 Port connection: Flanged
 ANSI (ASA) B16.5 300 lbs / UNI EN1092-1 PN.40

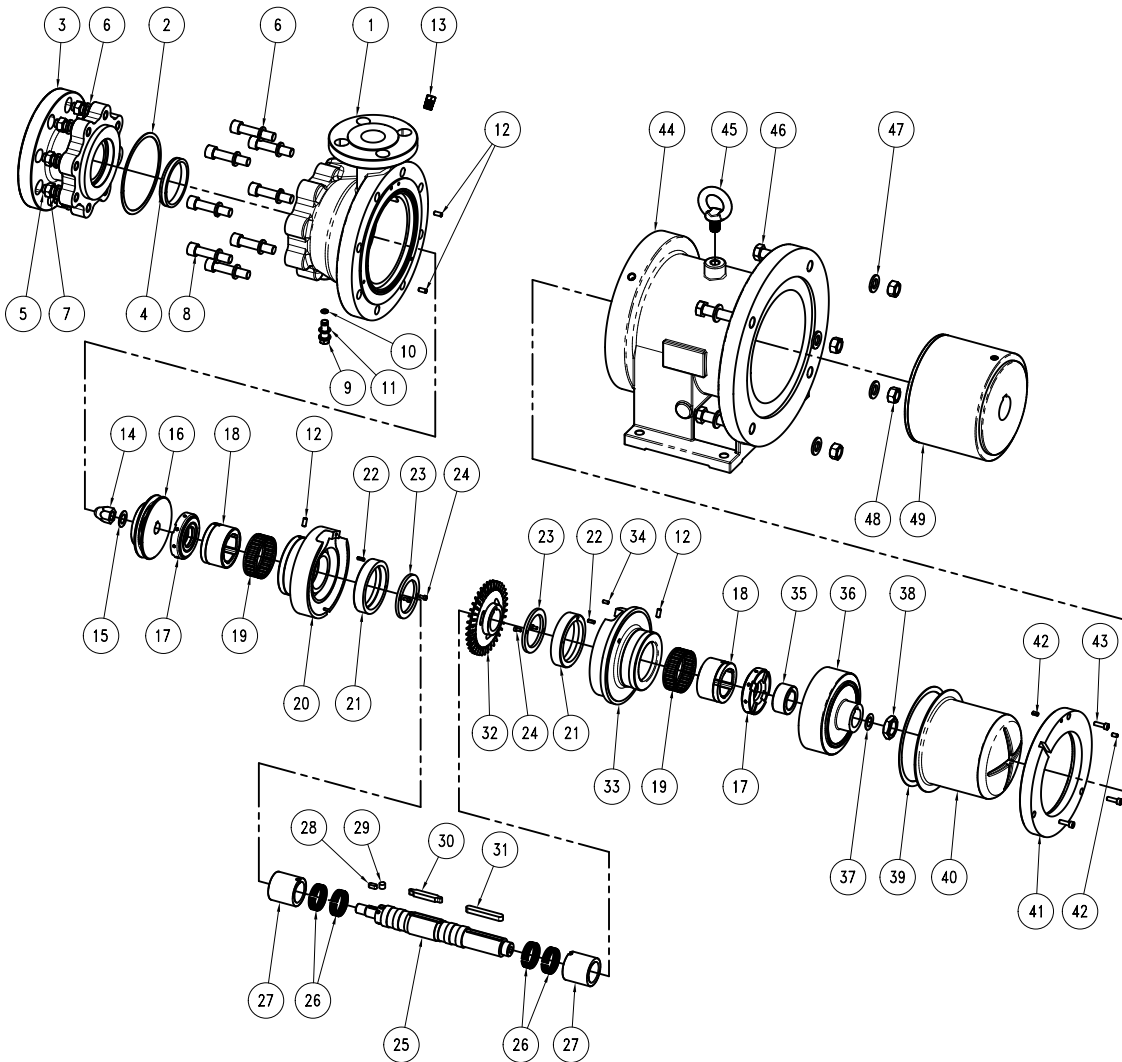
EXPLODED VIEW

CODE: E10475 Rev.:01



PART LIST

ITEM N°	CODE	Description	Material	Q.ty
1	56210CT0007AUF	Pump Casing	CF8M	1
2	91510P14351305	Pump Casing Gasket	PTFE	1
3	55520CT0007AUF	Pump Casing Cover	CF8M	1
4	55110CX04B8510I	Wear ring	AISI316	1
5	91610P1463A2	Stud bolt M14x63	AISI420	8
6	91630S1424A2	Washer UNI1851 D.14x24	A2-70	16
7	91620N14A2	Nut UNI5588 M14	A2-70	8
8	91610TCE11465A2	Screw UNI5931 M14x65	A2-70	8
9	53150A99525	Plug 1/4" BSP	AISI316	1
10	91510P195135	Plug Gasket	PTFE	1
11	92910V813	O-ring 5-664 V0884-75	VITON	1
12	916700614A2	Socket screw UNI5923 M6x14	A2-70	4
13	9315014MA	Plug 1/4" NPT	AISI316	1
14	91690016A2	Impeller Nut	CF8M	1
15	91630L1725A4	Washer NORD LOCK D.16x25.4	A4-70	1
16	55710CT0007A	Centrifugal Impeller	CF8M	1
17	56010C002A	Thrust bearing	AISI316/SSIC	2
18	50310A7040CT	Bushing	Carbon Ant.	2
19	91710ARHV7025	Bushing Tolerance ring	AISI316	2
20	55120T0009AA	Front Volute ring	AISI316	1
21	93010T0007A	Wear pad	Carbon Ant.	2
22	93030D04L12A2	Elastic pin #4x12	A2-70	2
23	90120T0007A	Lock ring wear pad	AISI316	2
24	91610TCE1408A2	Screw UNI5931 M4x8	A2-70	4
25	55010CT0007J	Shaft	AISI316	1
26	91710ARSV5012	Shaft Tolerance ring	AISI316	4
27	902205048S	Sleeve shaft	SSIC	2
28	91640A6615A2	Key UNI6604 6x6x15	A2-70	1
29	56610D100008A	Special Key #10x8	AISI316	1
30	51640A10863A4S	Special Key 10x8x63	A4-70	1
31	91640A10870A2	Key UNI6604 10x8x70	A2-70	1
32	55710T0009A	Impeller	AISI316	1
33	55120T0009AP	Rear Volute ring	AISI316	1
34	93030D04L10A2	Elastic pin #4x10	A2-70	1
35	50310A500238	Int. Magnet spacer	AISI316	1
36	55820C0006NA	Internal magnet	AISI316/NdFeB	1
37	91630L2439A4	Washer NORD LOCK D.24x39	A4-70	1
38	91620R24A4	Nut UNI5589 M24	A4-70	1
39	91510P176158	Rear casing Gasket	PTFE	1
40	55610C006BH	Rear Casing	HC276	1
41	51310AC003D	Rear Casing Lock Flange	AISI316	1
42	93030D05L10A2	Elastic pin #5x10	A2-70	2
43	91610TCE1625A2	Screw UNI5931 M6x25	A2-70	3
44	92510T000722C	Bracket	WCB	1
45	91615M16	Eye bolt M16	Fe Zinc	1
46	91610TE1670A2	Screw UNI24017 M16x70	A2-70	4
47	91630N1630A2	Washer UNI6592 D.16x30	A2-70	8
48	91620N16A2	Nut UNI5588 M16	A2-70	4
49	55810C000622N	External magnet	A105/NdFeB	1



Pump model: CT MAG-M 9
 ITEM:
 Magnetic joint: G1-G1

Motor: IEC Gr 200
 Port connection: Flanged
 ANSI (ASA) B16.5 300 lbs / UNI EN1092-1 PN.40

- This drawing is for reference only

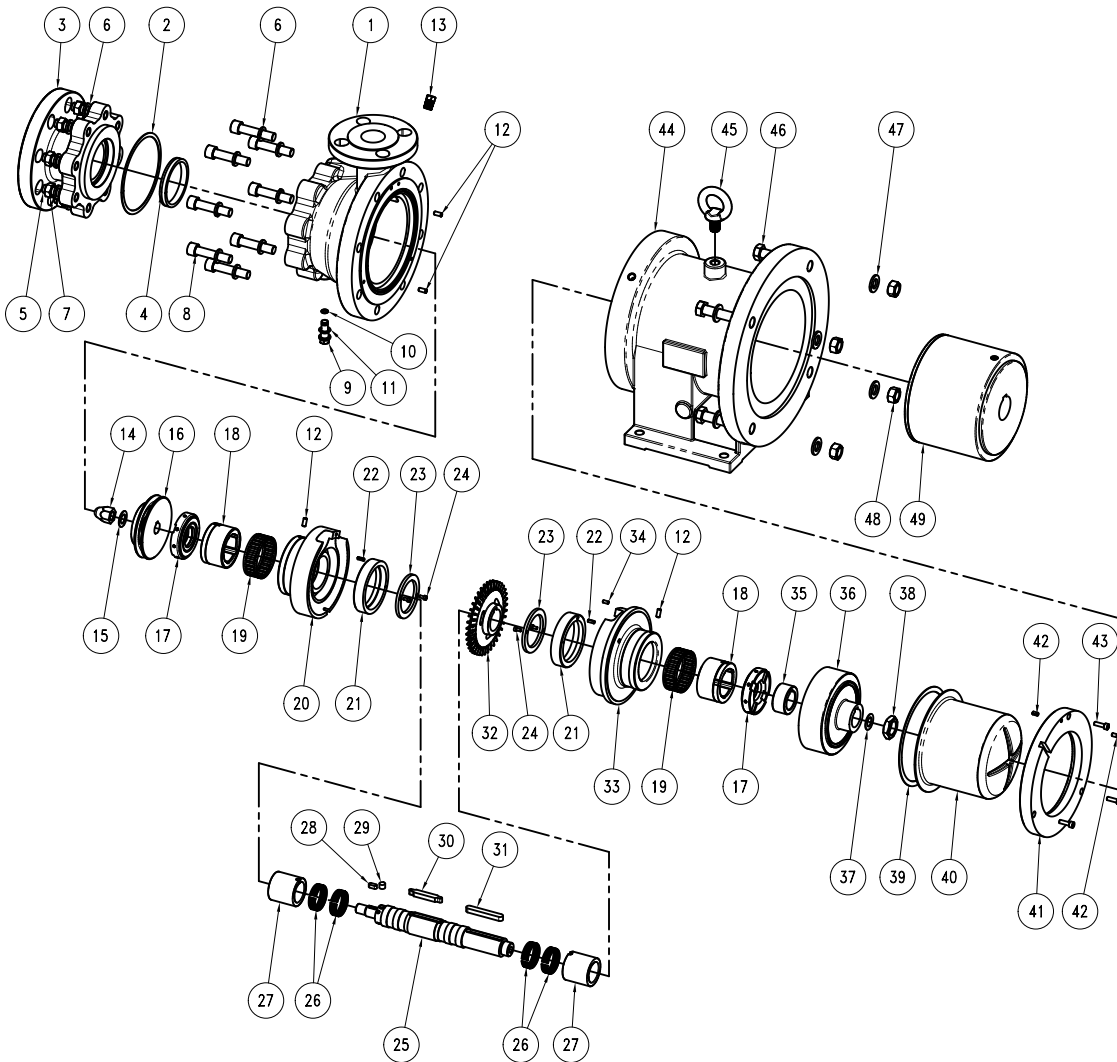
EXPLODED VIEW

CODE: E10476 Rev.:01



PART LIST

ITEM N°	CODE	Description	Material	Q.ty
1	56210CT0007AUF	Pump Casing	CF8M	1
2	91510P14351305	Pump Casing Gasket	PTFE	1
3	55520CT0007AUF	Pump Casing Cover	CF8M	1
4	55110CX04B8510I	Wear ring	AISI316	1
5	91610P1463A2	Stud bolt M14x63	AISI420	8
6	91630S1424A2	Washer UNI1851 D.14x24	A2-70	16
7	91620N14A2	Nut UNI5588 M14	A2-70	8
8	91610TCE11465A2	Screw UNI5931 M14x65	A2-70	8
9	53150A99525	Plug 1/4" BSP	AISI316	1
10	91510P195135	Plug Gasket	PTFE	1
11	92910V813	O-ring 5-664 V0884-75	VITON	1
12	916700614A2	Socket screw UNI5923 M6x14	A2-70	4
13	9315014MA	Plug 1/4" NPT	AISI316	1
14	91690016A2	Impeller Nut	CF8M	1
15	91630L1725A4	Washer NORD LOCK D.16x25.4	A4-70	1
16	55710CT0007A	Centrifugal Impeller	CF8M	1
17	56010C002A	Thrust bearing	AISI316/SSIC	2
18	50310A7040CT	Bushing	Carbon Ant.	2
19	91710ARHV7025	Bushing Tolerance ring	AISI316	2
20	55120T0010AA	Front Volute ring	AISI316	1
21	93010T0007A	Wear pad	Carbon Ant.	2
22	93030D04L12A2	Elastic pin #4x12	A2-70	2
23	90120T0007A	Lock ring wear pad	AISI316	2
24	91610TCE1408A2	Screw UNI5931 M4x8	A2-70	4
25	55010CT0007J	Shaft	AISI316	1
26	91710ARSV5012	Shaft Tolerance ring	AISI316	4
27	902205048S	Sleeve shaft	SSIC	2
28	91640A6615A2	Key UNI6604 6x6x15	A2-70	1
29	56610D100008A	Special Key #10x8	AISI316	1
30	51640A10863A4S	Special Key 10x8x63	A4-70	1
31	91640A10870A2	Key UNI6604 10x8x70	A2-70	1
32	55710T0010A	Impeller	AISI316	1
33	55120T0010AP	Rear Volute ring	AISI316	1
34	93030D04L10A2	Elastic pin #4x10	A2-70	1
35	50310A500238	Int. Magnet spacer	AISI316	1
36	55820C0005NA	Internal magnet	AISI316/NdFeB	1
37	91630L2439A4	Washer NORD LOCK D.24x39	A4-70	1
38	91620R24A4	Nut UNI5589 M24	A4-70	1
39	91510P176158	Rear casing Gasket	PTFE	1
40	55610C006BH	Rear Casing	HC276	1
41	51310AC003D	Rear Casing Lock Flange	AISI316	1
42	93030D05L10A2	Elastic pin #5x10	A2-70	2
43	91610TCE1625A2	Screw UNI5931 M6x25	A2-70	3
44	92510T000718C	Bracket	WCB	1
45	91615M16	Eye bolt M16	Fe Zinc	1
46	91610TE1670A2	Screw UNI24017 M16x70	A2-70	4
47	91630N1630A2	Washer UNI6592 D.16x30	A2-70	8
48	91620N16A2	Nut UNI5588 M16	A2-70	4
49	55810C000518N	External magnet	A105/NdFeB	1



- This drawing is for reference only

Pump model: CT MAG-M 10
 ITEM:
 Magnetic joint: F1-F1

Motor: IEC Gr 160
 Port connection: Flanged
 ANSI (ASA) B16.5 300 lbs / UNI EN1092-1 PN.40

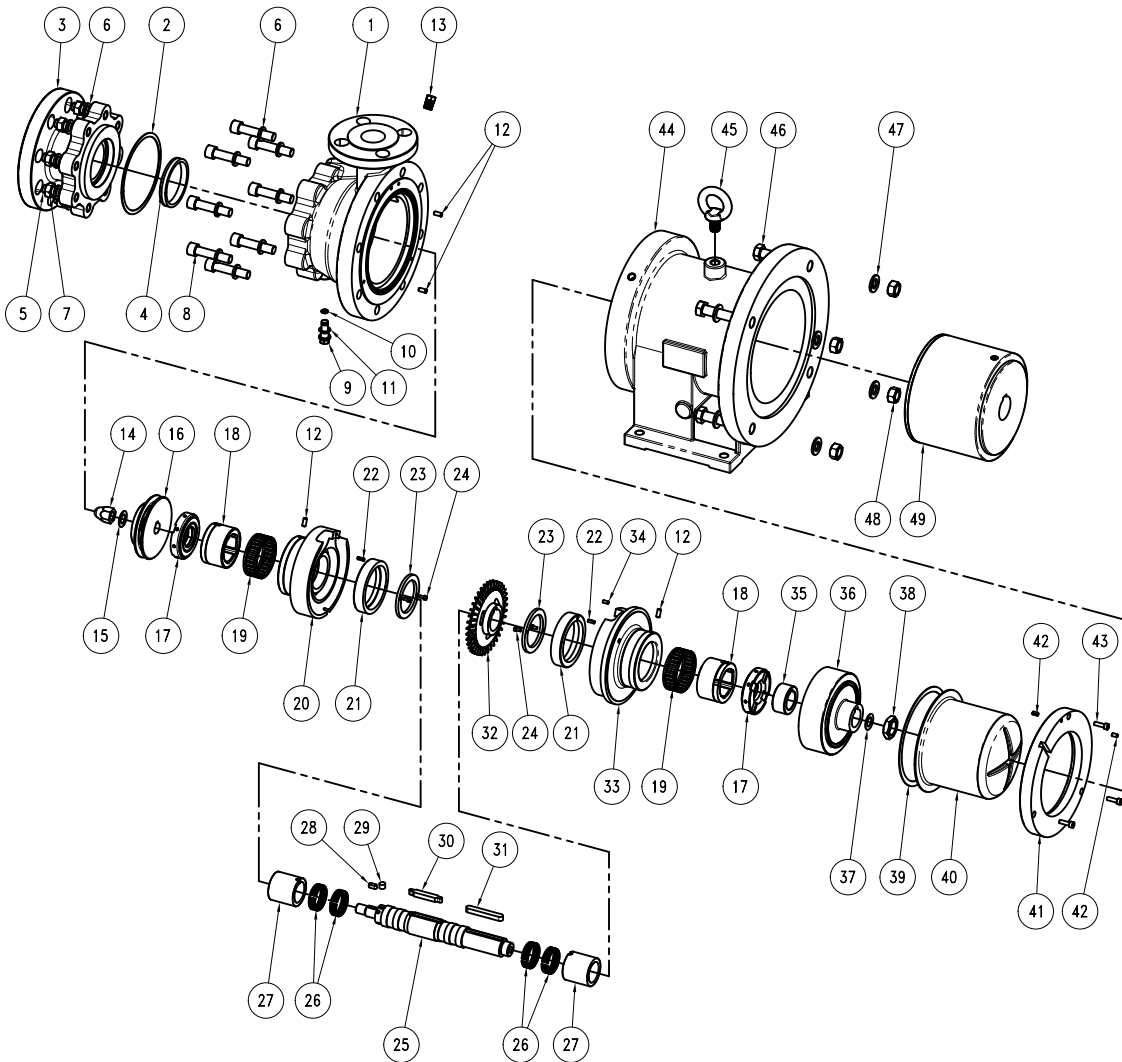
EXPLODED VIEW

CODE: E10492 Rev.:01



PART LIST

ITEM N°	CODE	Description	Material	Q.ty
1	56210CT0007AUF	Pump Casing	CF8M	1
2	91510P14351305	Pump Casing Gasket	PTFE	1
3	55520CT0007AUF	Pump Casing Cover	CF8M	1
4	55110CX04B8510I	Wear ring	AISI316	1
5	91610P1463A2	Stud bolt M14x63	AISI420	8
6	91630S1424A2	Washer UNI1851 D.14x24	A2-70	16
7	91620N14A2	Nut UNI5588 M14	A2-70	8
8	91610TCE11465A2	Screw UNI5931 M14x65	A2-70	8
9	53150A99525	Plug 1/4" BSP	AISI316	1
10	91510P195135	Plug Gasket	PTFE	1
11	92910V813	O-ring 5-664 V0884-75	VITON	1
12	916700614A2	Socket screw UNI5923 M6x14	A2-70	4
13	9315014MA	Plug 1/4" NPT	AISI316	1
14	91690016A2	Impeller Nut	CF8M	1
15	91630L1725A4	Washer NORD LOCK D.16x25.4	A4-70	1
16	55710CT0007A	Centrifugal Impeller	CF8M	1
17	56010C002A	Thrust bearing	AISI316/SSIC	2
18	50310A7040CT	Bushing	Carbon Ant.	2
19	91710ARHV7025	Bushing Tolerance ring	AISI316	2
20	55120T0010AA	Front Volute ring	AISI316	1
21	93010T0007A	Wear pad	Carbon Ant.	2
22	93030D04L12A2	Elastic pin #4x12	A2-70	2
23	90120T0007A	Lock ring wear pad	AISI316	2
24	91610TCE1408A2	Screw UNI5931 M4x8	A2-70	4
25	55010CT0007J	Shaft	AISI316	1
26	91710ARSV5012	Shaft Tolerance ring	AISI316	4
27	902205048S	Sleeve shaft	SSIC	2
28	91640A6615A2	Key UNI6604 6x6x15	A2-70	1
29	56610D100008A	Special Key #10x8	AISI316	1
30	51640A10863A4S	Special Key 10x8x63	A4-70	1
31	91640A10870A2	Key UNI6604 10x8x70	A2-70	1
32	55710T0010A	Impeller	AISI316	1
33	55120T0010AP	Rear Volute ring	AISI316	1
34	93030D04L10A2	Elastic pin #4x10	A2-70	1
35	50310A500238	Int. Magnet spacer	AISI316	1
36	55820C0005NA	Internal magnet	AISI316/NdFeB	1
37	91630L2439A4	Washer NORD LOCK D.24x39	A4-70	1
38	91620R24A4	Nut UNI5589 M24	A4-70	1
39	91510P176158	Rear casing Gasket	PTFE	1
40	55610C006BH	Rear Casing	HC276	1
41	51310AC003D	Rear Casing Lock Flange	AISI316	1
42	93030D05L10A2	Elastic pin #5x10	A2-70	2
43	91610TCE1625A2	Screw UNI5931 M6x25	A2-70	3
44	92510T000718C	Bracket	WCB	1
45	91615M16	Eye bolt M16	Fe Zinc	1
46	91610TE1670A2	Screw UNI24017 M16x70	A2-70	4
47	91630N1630A2	Washer UNI6592 D.16x30	A2-70	8
48	91620N16A2	Nut UNI5588 M16	A2-70	4
49	55810C000520N	External magnet	A105/NdFeB	1



- This drawing is for reference only

Pump model: CT MAG-M 10
 ITEM:
 Magnetic joint: F1-F1

Motor: IEC Gr 180
 Port connection: Flanged
 ANSI (ASA) B16.5 300 lbs / UNI EN1092-1 PN.40

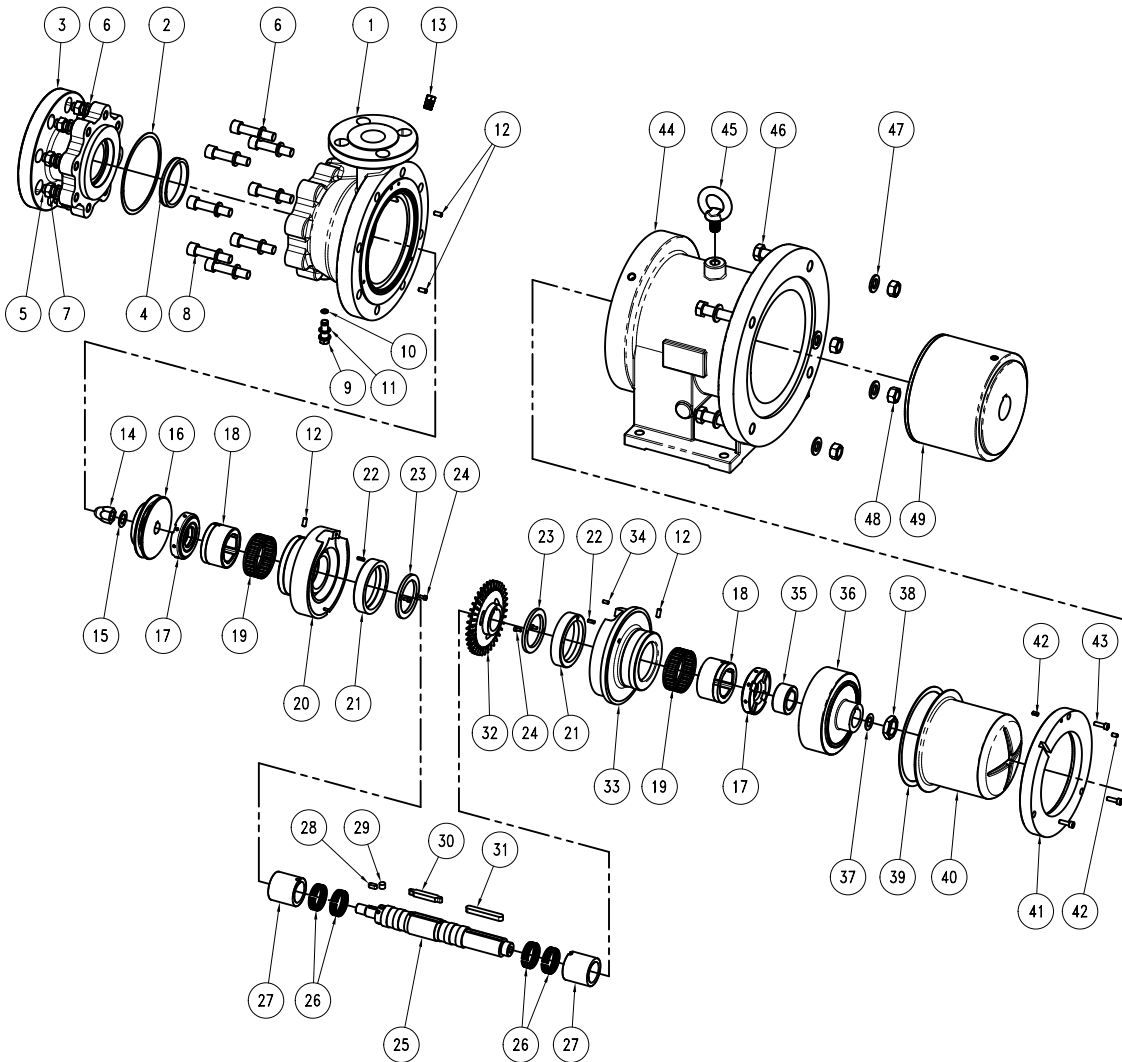
EXPLODED VIEW

CODE: E10477 Rev.:01



PART LIST

ITEM N°	CODE	Description	Material	Q.ty
1	56210CT0007AUF	Pump Casing	CF8M	1
2	91510P14351305	Pump Casing Gasket	PTFE	1
3	55520CT0007AUF	Pump Casing Cover	CF8M	1
4	55110CX04B8510I	Wear ring	AISI316	1
5	91610P1463A2	Stud bolt M14x63	AISI420	8
6	91630S1424A2	Washer UNI1851 D.14x24	A2-70	16
7	91620N14A2	Nut UNI5588 M14	A2-70	8
8	91610TCE11465A2	Screw UNI5931 M14x65	A2-70	8
9	53150A99525	Plug 1/4" BSP	AISI316	1
10	91510P195135	Plug Gasket	PTFE	1
11	92910V813	O-ring 5-664 V0884-75	VITON	1
12	916700614A2	Socket screw UNI5923 M6x14	A2-70	4
13	9315014MA	Plug 1/4" NPT	AISI316	1
14	91690016A2	Impeller Nut	CF8M	1
15	91630L1725A4	Washer NORD LOCK D.16x25.4	A4-70	1
16	55710CT0007A	Centrifugal Impeller	CF8M	1
17	56010C002A	Thrust bearing	AISI316/SSIC	2
18	50310A7040CT	Bushing	Carbon Ant.	2
19	91710ARHV7025	Bushing Tolerance ring	AISI316	2
20	55120T0010AA	Front Volute ring	AISI316	1
21	93010T0007A	Wear pad	Carbon Ant.	2
22	93030D04L12A2	Elastic pin #4x12	A2-70	2
23	90120T0007A	Lock ring wear pad	AISI316	2
24	91610TCE1408A2	Screw UNI5931 M4x8	A2-70	4
25	55010CT0007J	Shaft	AISI316	1
26	91710ARSV5012	Shaft Tolerance ring	AISI316	4
27	902205048S	Sleeve shaft	SSIC	2
28	91640A6615A2	Key UNI6604 6x6x15	A2-70	1
29	56610D100008A	Special Key #10x8	AISI316	1
30	51640A10863A4S	Special Key 10x8x63	A4-70	1
31	91640A10870A2	Key UNI6604 10x8x70	A2-70	1
32	55710T0010A	Impeller	AISI316	1
33	55120T0010AP	Rear Volute ring	AISI316	1
34	93030D04L10A2	Elastic pin #4x10	A2-70	1
35	50310A500238	Int. Magnet spacer	AISI316	1
36	55820C0006NA	Internal magnet	AISI316/NdFeB	1
37	91630L2439A4	Washer NORD LOCK D.24x39	A4-70	1
38	91620R24A4	Nut UNI5589 M24	A4-70	1
39	91510P176158	Rear casing Gasket	PTFE	1
40	55610C006BH	Rear Casing	HC276	1
41	51310AC003D	Rear Casing Lock Flange	AISI316	1
42	93030D05L10A2	Elastic pin #5x10	A2-70	2
43	91610TCE1625A2	Screw UNI5931 M6x25	A2-70	3
44	92510T000722C	Bracket	WCB	1
45	91615M16	Eye bolt M16	Fe Zinc	1
46	91610TE1670A2	Screw UNI24017 M16x70	A2-70	4
47	91630N1630A2	Washer UNI6592 D.16x30	A2-70	8
48	91620N16A2	Nut UNI5588 M16	A2-70	4
49	55810C000622N	External magnet	A105/NdFeB	1



- This drawing is for reference only

Pump model: CT MAG-M 10
 ITEM:
 Magnetic joint: G1-G1

Motor: IEC Gr 200
 Port connection: Flanged
 ANSI (ASA) B16.5 300 lbs / UNI EN1092-1 PN.40

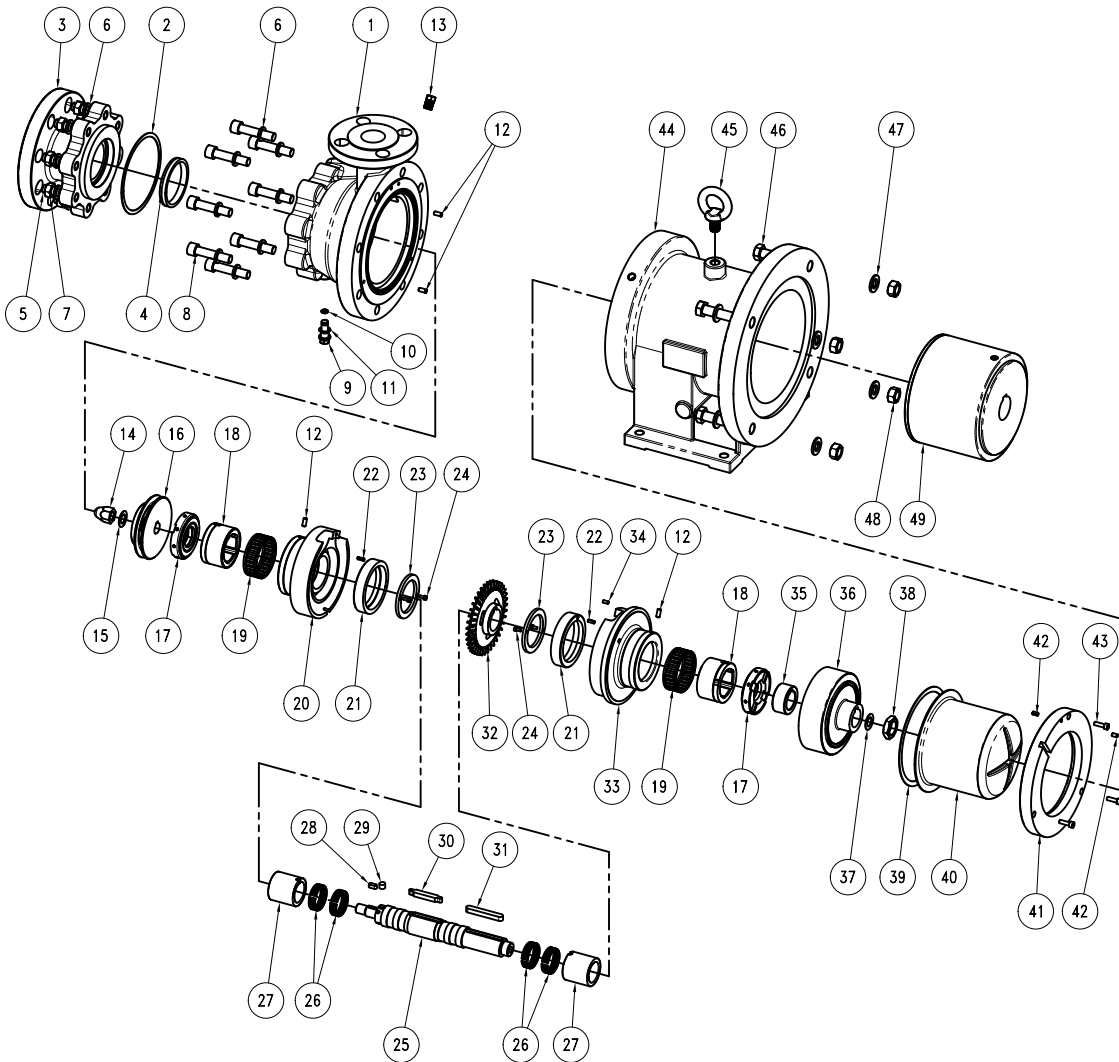
EXPLODED VIEW

CODE: E10546 Rev.:01



PART LIST

ITEM N°	CODE	Description	Material	Q.ty
1	56210CT0007AUF	Pump Casing	CF8M	1
2	91510P14351305	Pump Casing Gasket	PTFE	1
3	55520CT0007AUF	Pump Casing Cover	CF8M	1
4	55110CX04B8510I	Wear ring	AISI316	1
5	91610P1463A2	Stud bolt M14x63	AISI420	8
6	91630S1424A2	Washer UNI1851 D.14x24	A2-70	16
7	91620N14A2	Nut UNI5588 M14	A2-70	8
8	91610TCE11465A2	Screw UNI5931 M14x65	A2-70	8
9	53150A99525	Plug 1/4" BSP	AISI316	1
10	91510P195135	Plug Gasket	PTFE	1
11	92910V813	O-ring 5-664 V0884-75	VITON	1
12	916700614A2	Socket screw UNI5923 M6x14	A2-70	4
13	9315014MA	Plug 1/4" NPT	AISI316	1
14	91690016A2	Impeller Nut	CF8M	1
15	91630L1725A4	Washer NORD LOCK D.16x25.4	A4-70	1
16	55710CT0007A	Centrifugal Impeller	CF8M	1
17	56010C002A	Thrust bearing	AISI316/SSIC	2
18	50310A7040CT	Bushing	Carbon Ant.	2
19	91710ARHV7025	Bushing Tolerance ring	AISI316	2
20	55120T0011AA	Front Volute ring	AISI316	1
21	93010T0007A	Wear pad	Carbon Ant.	2
22	93030D04L12A2	Elastic pin #4x12	A2-70	2
23	90120T0007A	Lock ring wear pad	AISI316	2
24	91610TCE1408A2	Screw UNI5931 M4x8	A2-70	4
25	55010CT0007J	Shaft	AISI316	1
26	91710ARSV5012	Shaft Tolerance ring	AISI316	4
27	90220S048S	Sleeve shaft	SSIC	2
28	91640A6615A2	Key UNI6604 6x6x15	A2-70	1
29	56610D100008A	Special Key #10x8	AISI316	1
30	51640A10863A4S	Special Key 10x8x63	A4-70	1
31	91640A10870A2	Key UNI6604 10x8x70	A2-70	1
32	55710T0011A	Impeller	AISI316	1
33	55120T0011AP	Rear Volute ring	AISI316	1
34	93030D04L10A2	Elastic pin #4x10	A2-70	1
35	50310A500238	Int. Magnet spacer	AISI316	1
36	55820C0005NA	Internal magnet	AISI316/NdFeB	1
37	91630L2439A4	Washer NORD LOCK D.24x39	A4-70	1
38	91620R24A4	Nut UNI5589 M24	A4-70	1
39	91510P176158	Rear casing Gasket	PTFE	1
40	55610C006BH	Rear Casing	HC276	1
41	51310AC003D	Rear Casing Lock Flange	AISI316	1
42	93030D05L10A2	Elastic pin #5x10	A2-70	2
43	91610TCE1625A2	Screw UNI5931 M6x25	A2-70	3
44	92510T000718C	Bracket	WCB	1
45	91615M16	Eye bolt M16	Fe Zinc	1
46	91610TE1670A2	Screw UNI24017 M16x70	A2-70	4
47	91630N1630A2	Washer UNI6592 D.16x30	A2-70	8
48	91620N16A2	Nut UNI5588 M16	A2-70	4
49	55810C000518N	External magnet	A105/NdFeB	1



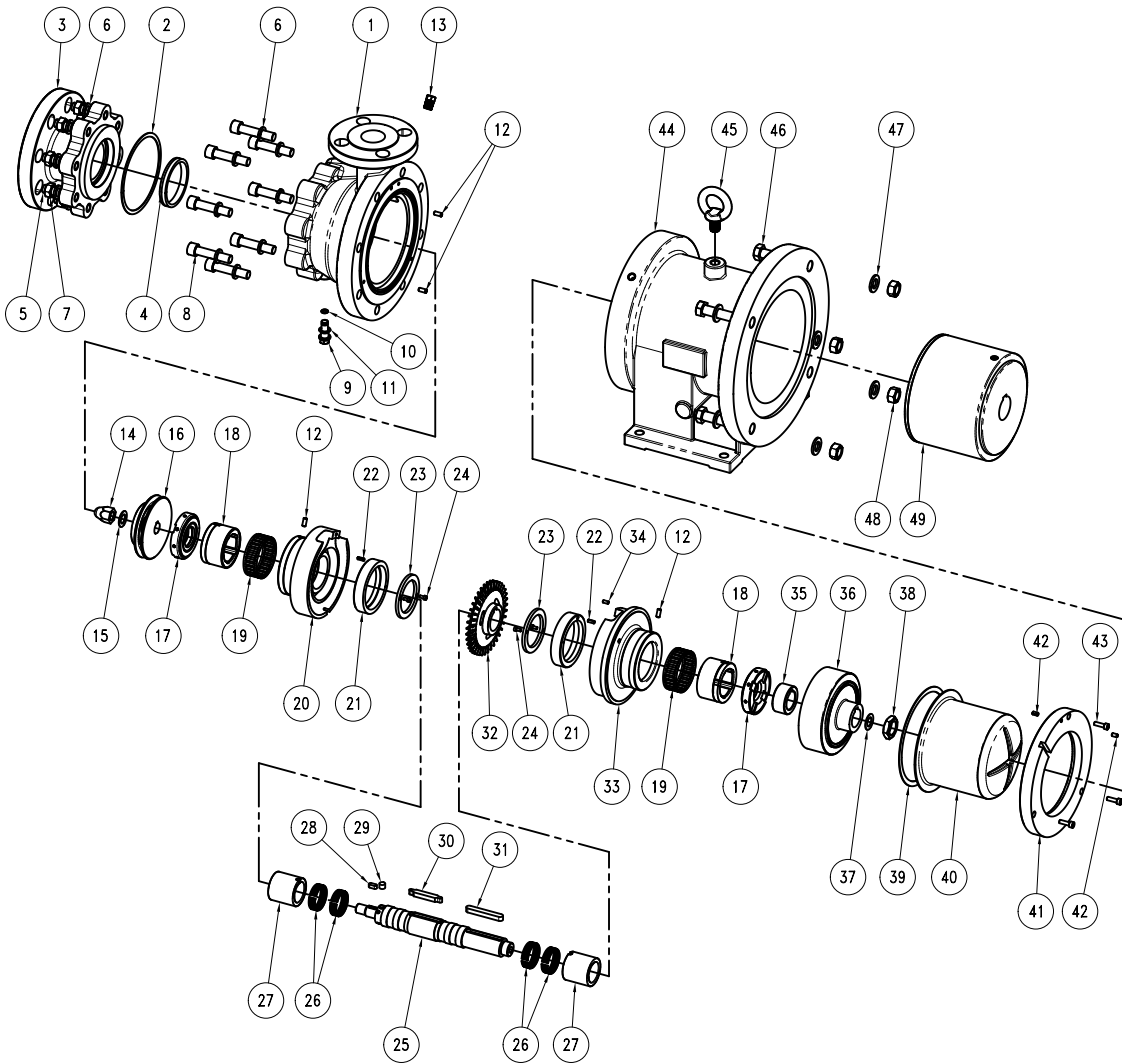
- This drawing is for reference only

Pump model: CT MAG-M 11
 ITEM:
 Magnetic joint: F1-F1

Motor: IEC Gr 160
 Port connection: Flanged
 ANSI (ASA) B16.5 300 lbs / UNI EN1092-1 PN.40

EXPLODED VIEW

CODE: E10554 Rev.:01



PART LIST

ITEM N°	CODE	Description	Material	Q.ty
1	56210CT0007AUF	Pump Casing	CF8M	1
2	91510P14351305	Pump Casing Gasket	PTFE	1
3	55520CT0007AUF	Pump Casing Cover	CF8M	1
4	55110CX04B8510I	Wear ring	AI31316	1
5	91610P1463A2	Stud bolt M14x63	AI31420	8
6	91630S1424A2	Washer UNI1851 D.14x24	A2-70	16
7	91620N14A2	Nut UNI5588 M14	A2-70	8
8	91610TCE11465A2	Screw UNI5931 M14x65	A2-70	8
9	53150A99525	Plug 1/4" BSP	AI31316	1
10	91510P195135	Plug Gasket	PTFE	1
11	92910V813	O-ring 5-664 V0884-75	VITON	1
12	916700614A2	Socket screw UNI5923 M6x14	A2-70	4
13	9315014MA	Plug 1/4" NPT	AI31316	1
14	91690016A2	Impeller Nut	CF8M	1
15	91630L1725A4	Washer NORD LOCK D.16x25.4	A4-70	1
16	55710CT0007A	Centrifugal Impeller	CF8M	1
17	56010C002A	Thrust bearing	AI31316/SSIC	2
18	50310A7040CT	Bushing	Carbon Ant.	2
19	91710ARHV7025	Bushing Tolerance ring	AI31316	2
20	55120T0011AA	Front Volute ring	AI31316	1
21	93010T0007A	Wear pad	Carbon Ant.	2
22	93030D04L12A2	Elastic pin #4x12	A2-70	2
23	90120T0007A	Lock ring wear pad	AI31316	2
24	91610TCE1408A2	Screw UNI5931 M4x8	A2-70	4
25	55010CT0007J	Shaft	AI31316	1
26	91710ARSV5012	Shaft Tolerance ring	AI31316	4
27	90220S048S	Sleeve shaft	SSIC	2
28	91640A6615A2	Key UNI6604 6x6x15	A2-70	1
29	56610D100008A	Special Key #10x8	AI31316	1
30	51640A10863A4S	Special Key 10x8x63	A4-70	1
31	91640A10870A2	Key UNI6604 10x8x70	A2-70	1
32	55710T0011A	Impeller	AI31316	1
33	55120T0011AP	Rear Volute ring	AI31316	1
34	93030D04L10A2	Elastic pin #4x10	A2-70	1
35	50310A500238	Int. Magnet spacer	AI31316	1
36	55820C0005NA	Internal magnet	AI31316/NdFeB	1
37	91630L2439A4	Washer NORD LOCK D.24x39	A4-70	1
38	91620R24A4	Nut UNI5589 M24	A4-70	1
39	91510P176158	Rear casing Gasket	PTFE	1
40	55610C006BH	Rear Casing	HC276	1
41	51310AC003D	Rear Casing Lock Flange	AI31316	1
42	93030D05L10A2	Elastic pin #5x10	A2-70	2
43	91610TCE1625A2	Screw UNI5931 M6x25	A2-70	3
44	92510T000718C	Bracket	WCB	1
45	91615M16	Eye bolt M16	Fe Zinc	1
46	91610TE1670A2	Screw UNI24017 M16x70	A2-70	4
47	91630N1630A2	Washer UNI6592 D.16x30	A2-70	8
48	91620N16A2	Nut UNI5588 M16	A2-70	4
49	55810C000520N	External magnet	A105/NdFeB	1

Pump model: CT MAG-M 11
 ITEM:
 Magnetic joint: F1-F1

Motor: IEC Gr 180
 Port connection: Flanged
 ANSI (ASA) B16.5 300 lbs / UNI EN1092-1 PN.40

- This drawing is for reference only

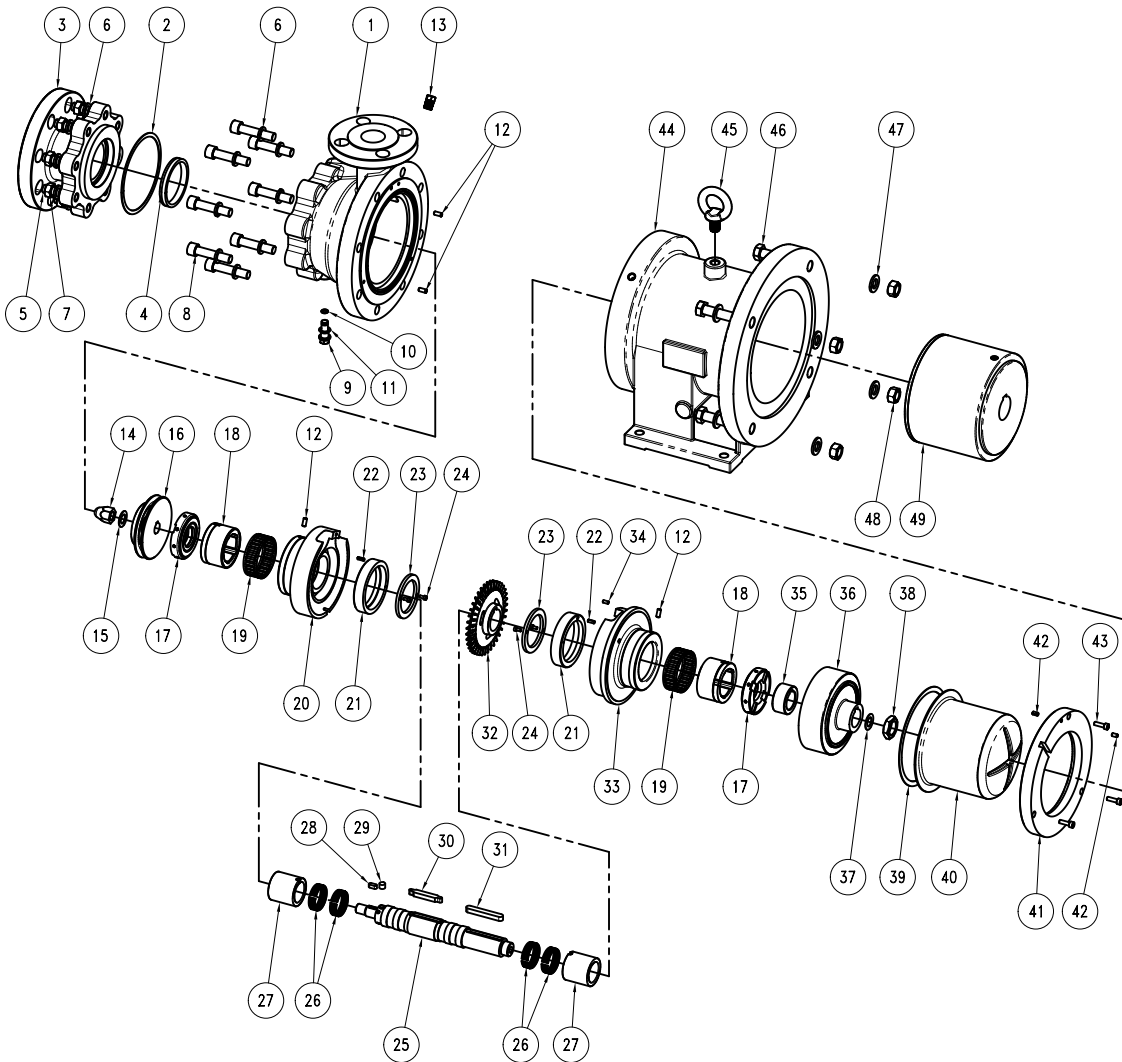
EXPLODED VIEW

CODE: E10547 Rev.:01



PART LIST

ITEM N°	CODE	Description	Material	Q.ty
1	56210CT0007AUF	Pump Casing	CF8M	1
2	91510P14351305	Pump Casing Gasket	PTFE	1
3	55520CT0007AUF	Pump Casing Cover	CF8M	1
4	55110CX04B8510I	Wear ring	AISI316	1
5	91610P1463A2	Stud bolt M14x63	AISI420	8
6	91630S1424A2	Washer UNI1851 D.14x24	A2-70	16
7	91620N14A2	Nut UNI5588 M14	A2-70	8
8	91610TCE11465A2	Screw UNI5931 M14x65	A2-70	8
9	53150A99525	Plug 1/4" BSP	AISI316	1
10	91510P195135	Plug Gasket	PTFE	1
11	92910V813	O-ring 5-664 V0884-75	VITON	1
12	916700614A2	Socket screw UNI5923 M6x14	A2-70	4
13	9315014MA	Plug 1/4" NPT	AISI316	1
14	91690016A2	Impeller Nut	CF8M	1
15	91630L1725A4	Washer NORD LOCK D.16x25.4	A4-70	1
16	55710CT0007A	Centrifugal Impeller	CF8M	1
17	56010C002A	Thrust bearing	AISI316/SSIC	2
18	50310A7040CT	Bushing	Carbon Ant.	2
19	91710ARHV7025	Bushing Tolerance ring	AISI316	2
20	55120T0011AA	Front Volute ring	AISI316	1
21	93010T0007A	Wear pad	Carbon Ant.	2
22	93030D04L12A2	Elastic pin #4x12	A2-70	2
23	90120T0007A	Lock ring wear pad	AISI316	2
24	91610TCE1408A2	Screw UNI5931 M4x8	A2-70	4
25	55010CT0007J	Shaft	AISI316	1
26	91710ARSV5012	Shaft Tolerance ring	AISI316	4
27	90220S048S	Sleeve shaft	SSIC	2
28	91640A6615A2	Key UNI6604 6x6x15	A2-70	1
29	56610D100008A	Special Key #10x8	AISI316	1
30	51640A10863A4S	Special Key 10x8x63	A4-70	1
31	91640A10870A2	Key UNI6604 10x8x70	A2-70	1
32	55710T0011A	Impeller	AISI316	1
33	55120T0011AP	Rear Volute ring	AISI316	1
34	93030D04L10A2	Elastic pin #4x10	A2-70	1
35	50310A500238	Int. Magnet spacer	AISI316	1
36	55820C0006NA	Internal magnet	AISI316/NdFeB	1
37	91630L2439A4	Washer NORD LOCK D.24x39	A4-70	1
38	91620R24A4	Nut UNI5589 M24	A4-70	1
39	91510P176158	Rear casing Gasket	PTFE	1
40	55610C006BH	Rear Casing	HC276	1
41	51310AC003D	Rear Casing Lock Flange	AISI316	1
42	93030D05L10A2	Elastic pin #5x10	A2-70	2
43	91610TCE1625A2	Screw UNI5931 M6x25	A2-70	3
44	92510T000722C	Bracket	WCB	1
45	91615M16	Eye bolt M16	Fe Zinc	1
46	91610TE1670A2	Screw UNI24017 M16x70	A2-70	4
47	91630N1630A2	Washer UNI6592 D.16x30	A2-70	8
48	91620N16A2	Nut UNI5588 M16	A2-70	4
49	55810C000622N	External magnet	A105/NdFeB	1



Pump model: CT MAG-M 11
 ITEM:
 Magnetic joint: G1-G1

Motor: IEC Gr 200
 Port connection: Flanged
 ANSI (ASA) B16.5 300 lbs / UNI EN1092-1 PN.40

- This drawing is for reference only

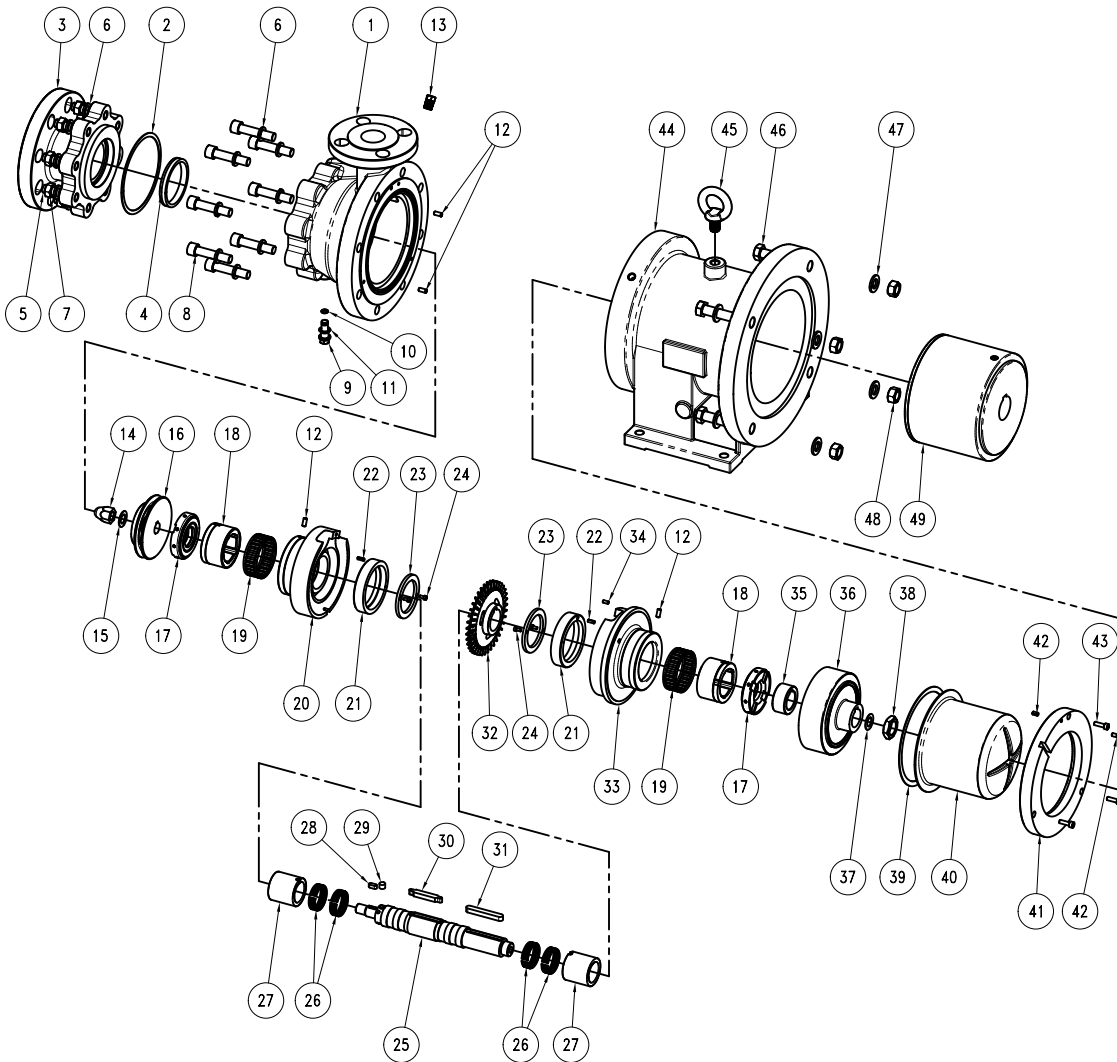
EXPLODED VIEW

CODE: E10548 Rev.:01



PART LIST

ITEM N°	CODE	Description	Material	Q.ty
1	56210CT0007AUF	Pump Casing	CF8M	1
2	91510P14351305	Pump Casing Gasket	PTFE	1
3	55520CT0007AUF	Pump Casing Cover	CF8M	1
4	55110CX04B8510I	Wear ring	AISI316	1
5	91610P1463A2	Stud bolt M14x63	AISI420	8
6	91630S1424A2	Washer UNI1851 D.14x24	A2-70	16
7	91620N14A2	Nut UNI5588 M14	A2-70	8
8	91610TCE11465A2	Screw UNI5931 M14x65	A2-70	8
9	53150A99525	Plug 1/4" BSP	AISI316	1
10	91510P195135	Plug Gasket	PTFE	1
11	92910V813	O-ring 5-664 V0884-75	VITON	1
12	916700614A2	Socket screw UNI5923 M6x14	A2-70	4
13	9315014MA	Plug 1/4" NPT	AISI316	1
14	91690016A2	Impeller Nut	CF8M	1
15	91630L1725A4	Washer NORD LOCK D.16x25.4	A4-70	1
16	55710CT0007A	Centrifugal Impeller	CF8M	1
17	56010C002A	Thrust bearing	AISI316/SSIC	2
18	50310A7040CT	Bushing	Carbon Ant.	2
19	91710ARHV7025	Bushing Tolerance ring	AISI316	2
20	55120T0012AA	Front Volute ring	AISI316	1
21	93010T0007A	Wear pad	Carbon Ant.	2
22	93030D04L12A2	Elastic pin #4x12	A2-70	2
23	90120T0007A	Lock ring wear pad	AISI316	2
24	91610TCE1408A2	Screw UNI5931 M4x8	A2-70	4
25	55010CT0007J	Shaft	AISI316	1
26	91710ARSV5012	Shaft Tolerance ring	AISI316	4
27	902205048S	Sleeve shaft	SSIC	2
28	91640A6615A2	Key UNI6604 6x6x15	A2-70	1
29	56610D100008A	Special Key #10x8	AISI316	1
30	51640A10863A4S	Special Key 10x8x63	A4-70	1
31	91640A10870A2	Key UNI6604 10x8x70	A2-70	1
32	55710T0012A	Impeller	AISI316	1
33	55120T0012AP	Rear Volute ring	AISI316	1
34	93030D04L10A2	Elastic pin #4x10	A2-70	1
35	50310A500238	Int. Magnet spacer	AISI316	1
36	55820C0005NA	Internal magnet	AISI316/NdFeB	1
37	91630L2439A4	Washer NORD LOCK D.24x39	A4-70	1
38	91620R24A4	Nut UNI5589 M24	A4-70	1
39	91510P176158	Rear casing Gasket	PTFE	1
40	55610C006BH	Rear Casing	HC276	1
41	51310AC003D	Rear Casing Lock Flange	AISI316	1
42	93030D05L10A2	Elastic pin #5x10	A2-70	2
43	91610TCE1625A2	Screw UNI5931 M6x25	A2-70	3
44	92510T000718C	Bracket	WCB	1
45	91615M16	Eye bolt M16	Fe Zinc	1
46	91610TE1670A2	Screw UNI24017 M16x70	A2-70	4
47	91630N1630A2	Washer UNI6592 D.16x30	A2-70	8
48	91620N16A2	Nut UNI5588 M16	A2-70	4
49	55810C000518N	External magnet	A105/NdFeB	1



- This drawing is for reference only

Pump model: CT MAG-M 12
 ITEM:
 Magnetic joint: F1-F1

Motor: IEC Gr 160
 Port connection: Flanged
 ANSI (ASA) B16.5 300 lbs / UNI EN1092-1 PN.40

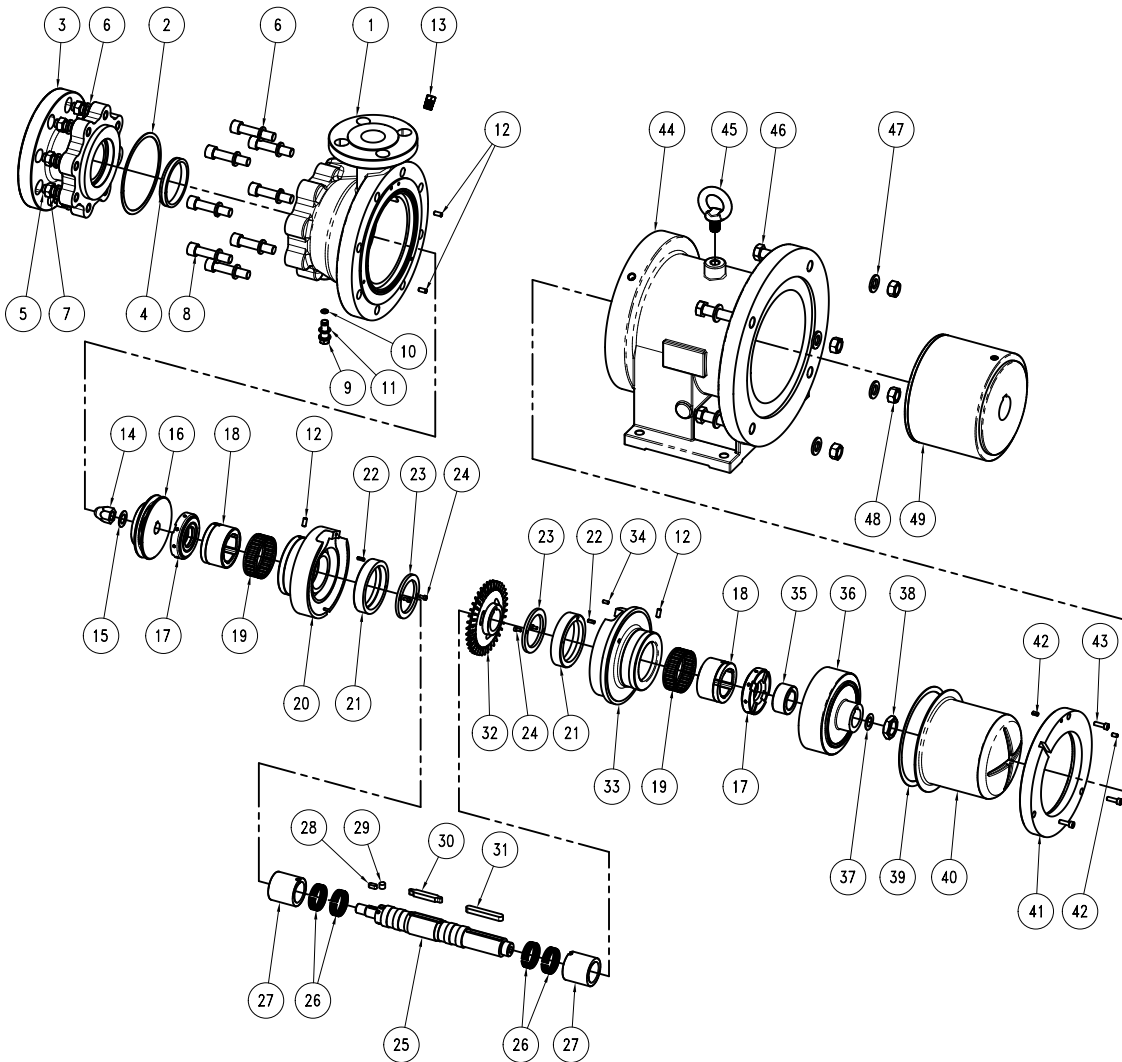
EXPLODED VIEW

CODE: E10556 Rev.:01



PART LIST

ITEM N°	CODE	Description	Material	Q.ty
1	56210CT0007AUF	Pump Casing	CF8M	1
2	91510P14351305	Pump Casing Gasket	PTFE	1
3	55520CT0007AUF	Pump Casing Cover	CF8M	1
4	55110CX04B8510I	Wear ring	AISI316	1
5	91610P1463A2	Stud bolt M14x63	AISI420	8
6	91630S1424A2	Washer UNI1851 D.14x24	A2-70	16
7	91620N14A2	Nut UNI5588 M14	A2-70	8
8	91610TCE11465A2	Screw UNI5931 M14x65	A2-70	8
9	53150A99525	Plug 1/4" BSP	AISI316	1
10	91510P195135	Plug Gasket	PTFE	1
11	92910V813	O-ring 5-664 V0884-75	VITON	1
12	916700614A2	Socket screw UNI5923 M6x14	A2-70	4
13	9315014MA	Plug 1/4" NPT	AISI316	1
14	91690016A2	Impeller Nut	CF8M	1
15	91630L1725A4	Washer NORD LOCK D.16x25.4	A4-70	1
16	55710CT0007A	Centrifugal Impeller	CF8M	1
17	56010C002A	Thrust bearing	AISI316/SSIC	2
18	50310A7040CT	Bushing	Carbon Ant.	2
19	91710ARHV7025	Bushing Tolerance ring	AISI316	2
20	55120T0012AA	Front Volute ring	AISI316	1
21	93010T0007A	Wear pad	Carbon Ant.	2
22	93030D04L12A2	Elastic pin #4x12	A2-70	2
23	90120T0007A	Lock ring wear pad	AISI316	2
24	91610TCE1408A2	Screw UNI5931 M4x8	A2-70	4
25	55010CT0007J	Shaft	AISI316	1
26	91710ARSV5012	Shaft Tolerance ring	AISI316	4
27	902205048S	Sleeve shaft	SSIC	2
28	91640A6615A2	Key UNI6604 6x6x15	A2-70	1
29	56610D100008A	Special Key #10x8	AISI316	1
30	51640A10863A4S	Special Key 10x8x63	A4-70	1
31	91640A10870A2	Key UNI6604 10x8x70	A2-70	1
32	55710T0012A	Impeller	AISI316	1
33	55120T0012AP	Rear Volute ring	AISI316	1
34	93030D04L10A2	Elastic pin #4x10	A2-70	1
35	50310A500238	Int. Magnet spacer	AISI316	1
36	55820C0005NA	Internal magnet	AISI316/NdFeB	1
37	91630L2439A4	Washer NORD LOCK D.24x39	A4-70	1
38	91620R24A4	Nut UNI5589 M24	A4-70	1
39	91510P176158	Rear casing Gasket	PTFE	1
40	55610C006BH	Rear Casing	HC276	1
41	51310AC003D	Rear Casing Lock Flange	AISI316	1
42	93030D05L10A2	Elastic pin #5x10	A2-70	2
43	91610TCE1625A2	Screw UNI5931 M6x25	A2-70	3
44	92510T000718C	Bracket	WCB	1
45	91615M16	Eye bolt M16	Fe Zinc	1
46	91610TE1670A2	Screw UNI24017 M16x70	A2-70	4
47	91630N1630A2	Washer UNI6592 D.16x30	A2-70	8
48	91620N16A2	Nut UNI5588 M16	A2-70	4
49	55810C000520N	External magnet	A105/NdFeB	1



Pump model: CT MAG-M 12
 ITEM:
 Magnetic joint: F1-F1

Motor: IEC Gr 180
 Port connection: Flanged
 ANSI (ASA) B16.5 300 lbs / UNI EN1092-1 PN.40

- This drawing is for reference only

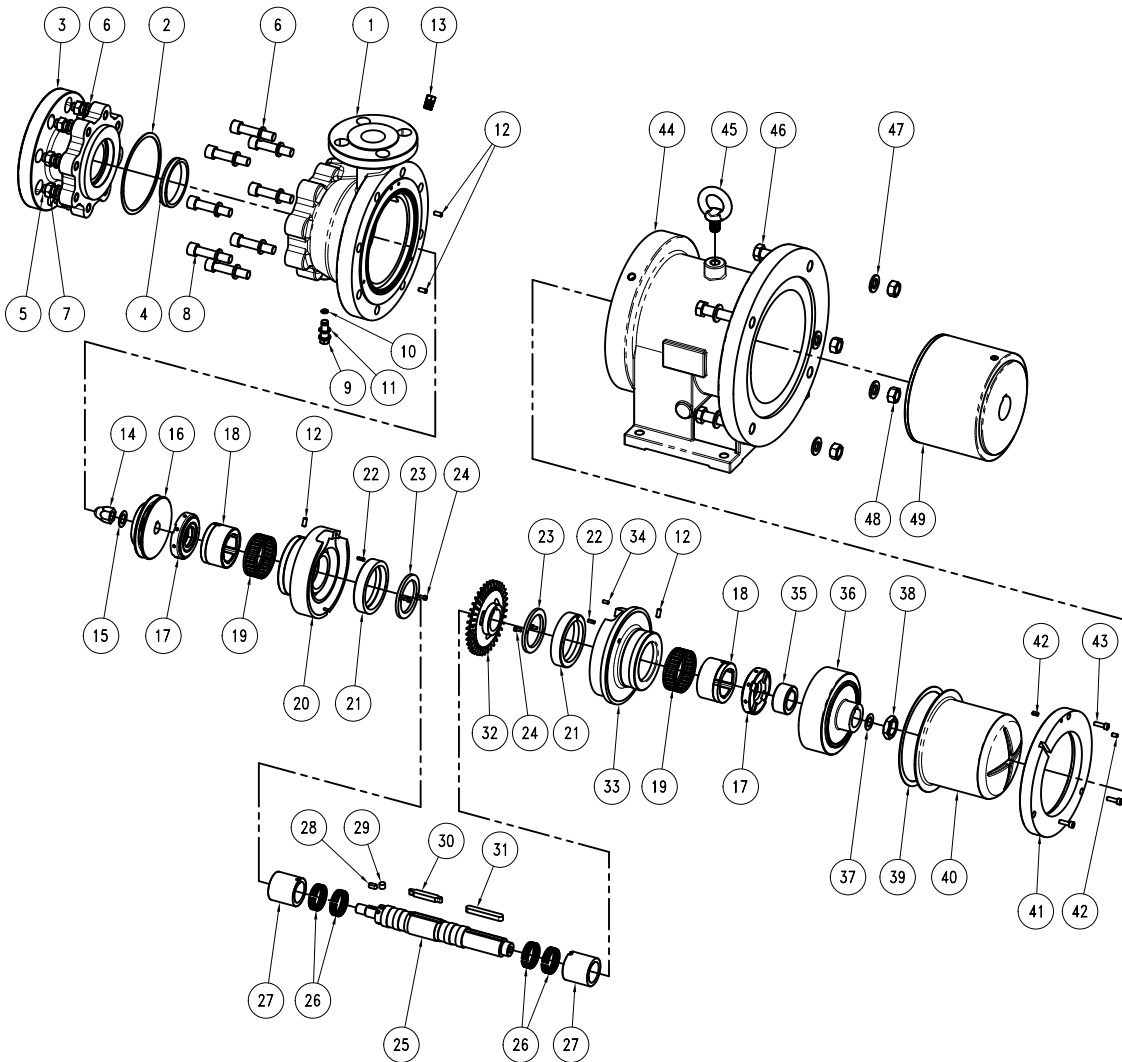
EXPLODED VIEW

CODE: E10549 Rev.:01



PART LIST

ITEM N°	CODE	Description	Material	Q.ty
1	56210CT0007AUF	Pump Casing	CF8M	1
2	91510P14351305	Pump Casing Gasket	PTFE	1
3	55520CT0007AUF	Pump Casing Cover	CF8M	1
4	55110CX04B8510I	Wear ring	AISI316	1
5	91610P1463A2	Stud bolt M14x63	AISI420	8
6	91630S1424A2	Washer UNI1851 D.14x24	A2-70	16
7	91620N14A2	Nut UNI5588 M14	A2-70	8
8	91610TCE11465A2	Screw UNI5931 M14x65	A2-70	8
9	53150A99525	Plug 1/4" BSP	AISI316	1
10	91510P195135	Plug Gasket	PTFE	1
11	92910V813	O-ring 5-664 V0884-75	VITON	1
12	916700614A2	Socket screw UNI5923 M6x14	A2-70	4
13	9315014MA	Plug 1/4" NPT	AISI316	1
14	91690016A2	Impeller Nut	CF8M	1
15	91630L1725A4	Washer NORD LOCK D.16x25.4	A4-70	1
16	55710CT0007A	Centrifugal Impeller	CF8M	1
17	56010C002A	Thrust bearing	AISI316/SSIC	2
18	50310A7040CT	Bushing	Carbon Ant.	2
19	91710ARHV7025	Bushing Tolerance ring	AISI316	2
20	55120T0012AA	Front Volute ring	AISI316	1
21	93010T0007A	Wear pad	Carbon Ant.	2
22	93030D04L12A2	Elastic pin #4x12	A2-70	2
23	90120T0007A	Lock ring wear pad	AISI316	2
24	91610TCE1408A2	Screw UNI5931 M4x8	A2-70	4
25	55010CT0007J	Shaft	AISI316	1
26	91710ARSV5012	Shaft Tolerance ring	AISI316	4
27	902205048S	Sleeve shaft	SSIC	2
28	91640A6615A2	Key UNI6604 6x6x15	A2-70	1
29	56610D100008A	Special Key #10x8	AISI316	1
30	51640A10863A4S	Special Key 10x8x63	A4-70	1
31	91640A10870A2	Key UNI6604 10x8x70	A2-70	1
32	55710T0012A	Impeller	AISI316	1
33	55120T0012AP	Rear Volute ring	AISI316	1
34	93030D04L10A2	Elastic pin #4x10	A2-70	1
35	50310A500238	Int. Magnet spacer	AISI316	1
36	55820C0006NA	Internal magnet	AISI316/NdFeB	1
37	91630L2439A4	Washer NORD LOCK D.24x39	A4-70	1
38	91620R24A4	Nut UNI5589 M24	A4-70	1
39	91510P176158	Rear casing Gasket	PTFE	1
40	55610C006BH	Rear Casing	HC276	1
41	51310AC003D	Rear Casing Lock Flange	AISI316	1
42	93030D05L10A2	Elastic pin #5x10	A2-70	2
43	91610TCE1625A2	Screw UNI5931 M6x25	A2-70	3
44	92510T000722C	Bracket	WCB	1
45	91615M16	Eye bolt M16	Fe Zinc	1
46	91610TE1670A2	Screw UNI24017 M16x70	A2-70	4
47	91630N1630A2	Washer UNI6592 D.16x30	A2-70	8
48	91620N16A2	Nut UNI5588 M16	A2-70	4
49	55810C000622N	External magnet	A105/NdFeB	1



Pump model: CT MAG-M 12
 ITEM:
 Magnetic joint: G1-G1

Motor: IEC Gr 200
 Port connection: Flanged
 ANSI (ASA) B16.5 300 lbs / UNI EN1092-1 PN.40

- This drawing is for reference only

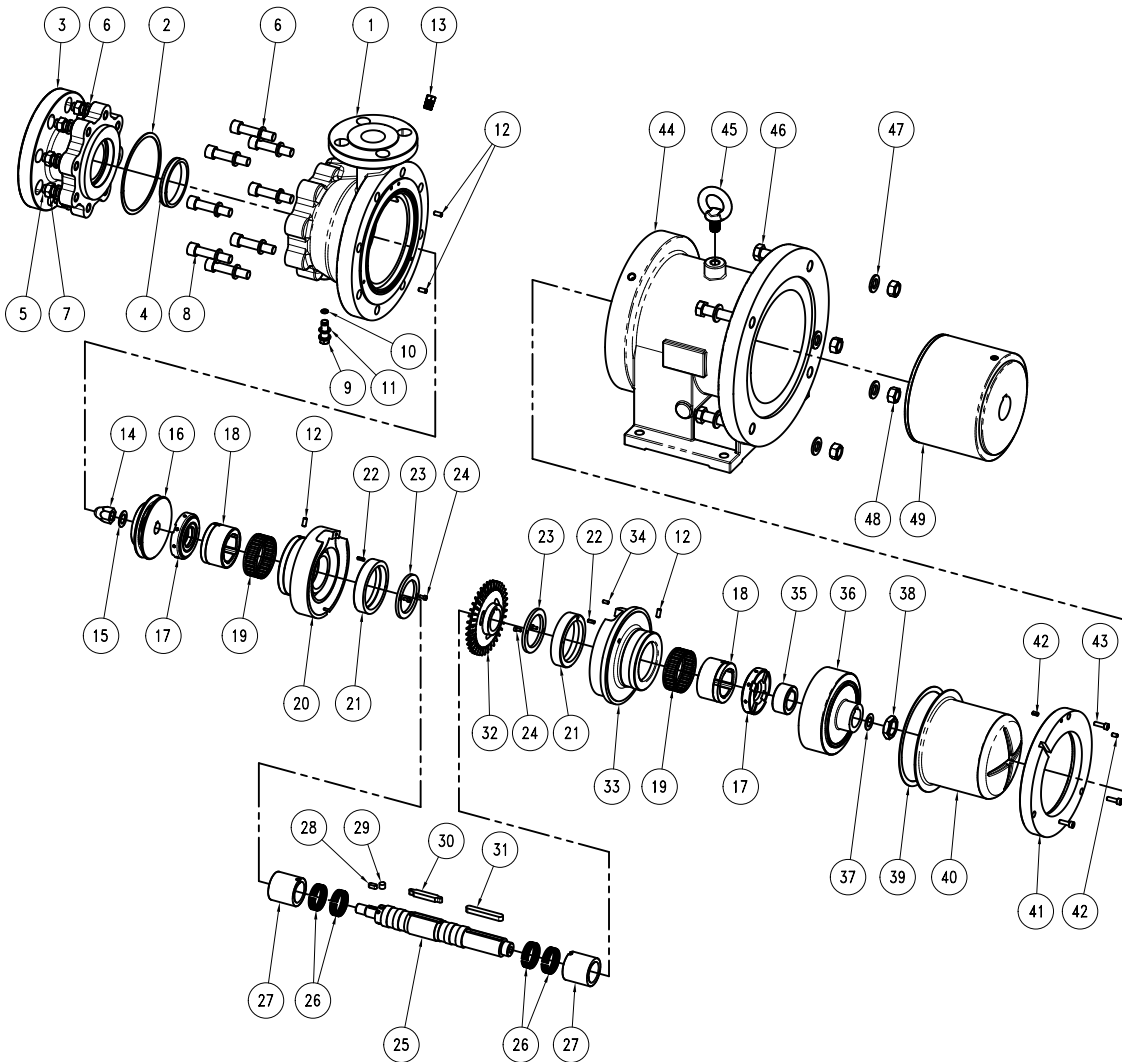
EXPLODED VIEW

CODE: E10550 Rev.:01



PART LIST

ITEM N°	CODE	Description	Material	Q.ty
1	56210CT0007AUF	Pump Casing	CF8M	1
2	91510P14351305	Pump Casing Gasket	PTFE	1
3	55520CT0007AUF	Pump Casing Cover	CF8M	1
4	55110CX04B8510I	Wear ring	AI3136	1
5	91610P1463A2	Stud bolt M14x63	AI3136	8
6	91630S1424A2	Washer UNI1851 D.14x24	A2-70	16
7	91620N14A2	Nut UNI5588 M14	A2-70	8
8	91610TCE11465A2	Screw UNI5931 M14x65	A2-70	8
9	53150A99525	Plug 1/4" BSP	AI3136	1
10	91510P195135	Plug Gasket	PTFE	1
11	92910V813	O-ring 5-664 V0884-75	VITON	1
12	916700614A2	Socket screw UNI5923 M6x14	A2-70	4
13	9315014MA	Plug 1/4" NPT	AI3136	1
14	91690016A2	Impeller Nut	CF8M	1
15	91630L1725A4	Washer NORD LOCK D.16x25.4	A4-70	1
16	55710CT0007A	Centrifugal Impeller	CF8M	1
17	56010C002A	Thrust bearing	AI3136/SSIC	2
18	50310A7040CT	Bushing	Carbon Ant.	2
19	91710ARHV7025	Bushing Tolerance ring	AI3136	2
20	55120T0013AA	Front Volute ring	AI3136	1
21	93010T0007A	Wear pad	Carbon Ant.	2
22	93030D04L12A2	Elastic pin #4x12	A2-70	2
23	90120T0007A	Lock ring wear pad	AI3136	2
24	91610TCE1408A2	Screw UNI5931 M4x8	A2-70	4
25	55010CT0007J	Shaft	AI3136	1
26	91710ARSV5012	Shaft Tolerance ring	AI3136	4
27	902205048S	Sleeve shaft	SSIC	2
28	91640A6615A2	Key UNI6604 6x6x15	A2-70	1
29	56610D100008A	Special Key #10x8	AI3136	1
30	51640A10863A4S	Special Key 10x8x63	A4-70	1
31	91640A10870A2	Key UNI6604 10x8x70	A2-70	1
32	55710T0013A	Impeller	AI3136	1
33	55120T0013AP	Rear Volute ring	AI3136	1
34	93030D04L10A2	Elastic pin #4x10	A2-70	1
35	50310A500238	Int. Magnet spacer	AI3136	1
36	55820C0005NA	Internal magnet	AI3136/NdFeB	1
37	91630L2439A4	Washer NORD LOCK D.24x39	A4-70	1
38	91620R24A4	Nut UNI5589 M24	A4-70	1
39	91510P176158	Rear casing Gasket	PTFE	1
40	55610C006BH	Rear Casing	HC276	1
41	51310AC003D	Rear Casing Lock Flange	AI3136	1
42	93030D05L10A2	Elastic pin #5x10	A2-70	2
43	91610TCE1625A2	Screw UNI5931 M6x25	A2-70	3
44	92510T000718C	Bracket	WCB	1
45	91615M16	Eye bolt M16	Fe Zinc	1
46	91610TE1670A2	Screw UNI24017 M16x70	A2-70	4
47	91630N1630A2	Washer UNI6592 D.16x30	A2-70	8
48	91620N16A2	Nut UNI5588 M16	A2-70	4
49	55810C000518N	External magnet	A105/NdFeB	1



- This drawing is for reference only

Pump model: CT MAG-M 13
 ITEM:
 Magnetic joint: F1-F1

Motor: IEC Gr 160
 Port connection: Flanged
 ANSI (ASA) B16.5 300 lbs / UNI EN1092-1 PN.40

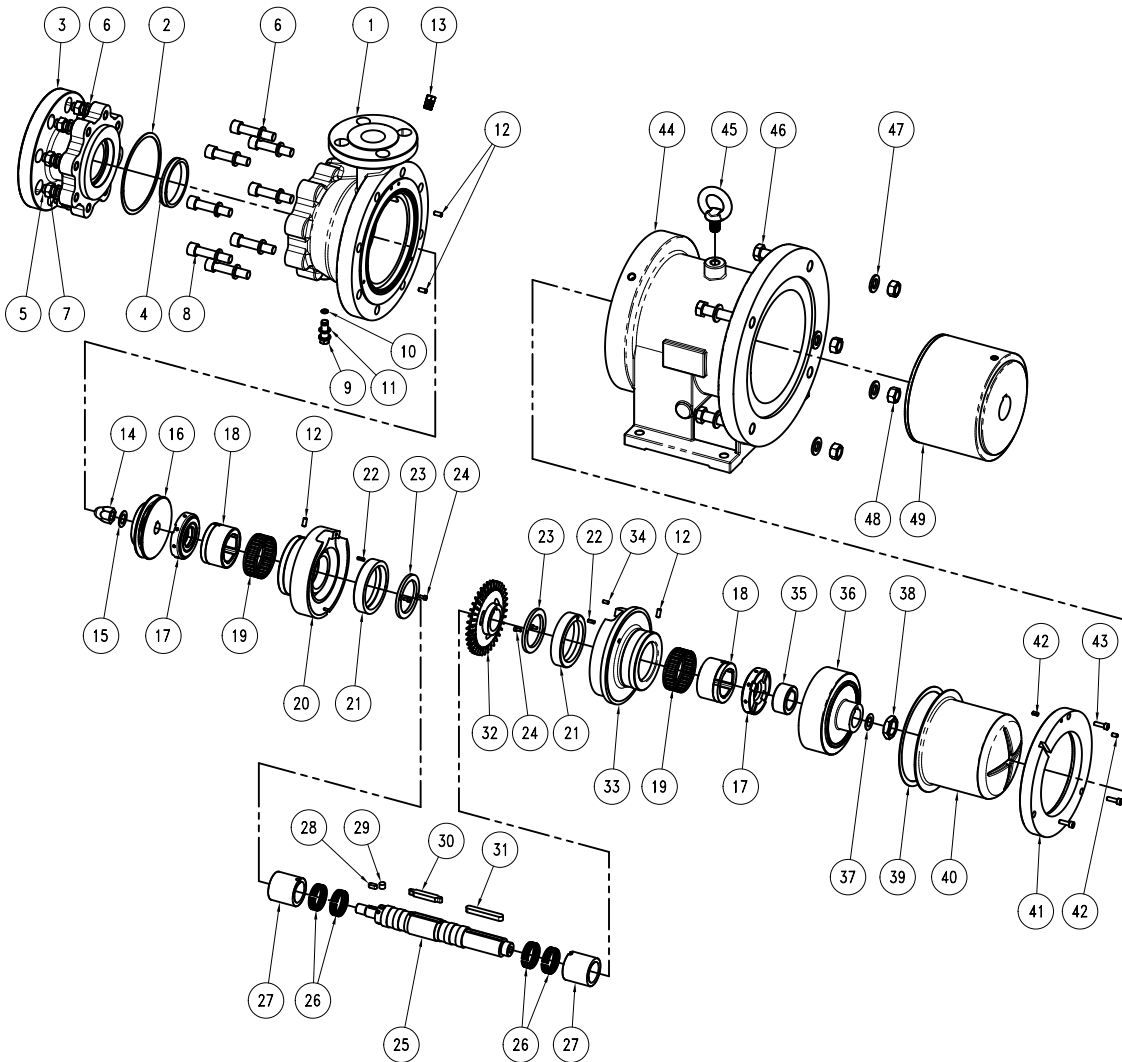
EXPLODED VIEW

CODE: E10558 Rev.:01



PART LIST

ITEM N°	CODE	Description	Material	Q.ty
1	56210CT0007AUF	Pump Casing	CF8M	1
2	91510P14351305	Pump Casing Gasket	PTFE	1
3	55520CT0007AUF	Pump Casing Cover	CF8M	1
4	55110CX04B8510I	Wear ring	AI31316	1
5	91610P1463A2	Stud bolt M14x63	AI31420	8
6	91630S1424A2	Washer UNI1851 D.14x24	A2-70	16
7	91620N14A2	Nut UNI5588 M14	A2-70	8
8	91610TCE11465A2	Screw UNI5931 M14x65	A2-70	8
9	53150A99525	Plug 1/4" BSP	AI31316	1
10	91510P195135	Plug Gasket	PTFE	1
11	92910V813	O-ring 5-664 V0884-75	VITON	1
12	916700614A2	Socket screw UNI5923 M6x14	A2-70	4
13	9315014MA	Plug 1/4" NPT	AI31316	1
14	91690016A2	Impeller Nut	CF8M	1
15	91630L1725A4	Washer NORD LOCK D.16x25.4	A4-70	1
16	55710CT0007A	Centrifugal Impeller	CF8M	1
17	56010C002A	Thrust bearing	AI31316/SSIC	2
18	50310A7040CT	Bushing	Carbon Ant.	2
19	91710ARHV7025	Bushing Tolerance ring	AI31316	2
20	55120T0013AA	Front Volute ring	AI31316	1
21	93010T0007A	Wear pad	Carbon Ant.	2
22	93030D04L12A2	Elastic pin #4x12	A2-70	2
23	90120T0007A	Lock ring wear pad	AI31316	2
24	91610TCE1408A2	Screw UNI5931 M4x8	A2-70	4
25	55010CT0007J	Shaft	AI31316	1
26	91710ARSV5012	Shaft Tolerance ring	AI31316	4
27	902205048S	Sleeve shaft	SSIC	2
28	91640A6615A2	Key UNI6604 6x6x15	A2-70	1
29	56610D100008A	Special Key #10x8	AI31316	1
30	51640A10863A4S	Special Key 10x8x63	A4-70	1
31	91640A10870A2	Key UNI6604 10x8x70	A2-70	1
32	55710T0013A	Impeller	AI31316	1
33	55120T0013AP	Rear Volute ring	AI31316	1
34	93030D04L10A2	Elastic pin #4x10	A2-70	1
35	50310A500238	Int. Magnet spacer	AI31316	1
36	55820C0005NA	Internal magnet	AI31316/NdFeB	1
37	91630L2439A4	Washer NORD LOCK D.24x39	A4-70	1
38	91620R24A4	Nut UNI5589 M24	A4-70	1
39	91510P176158	Rear casing Gasket	PTFE	1
40	55610C006BH	Rear Casing	HC276	1
41	51310AC003D	Rear Casing Lock Flange	AI31316	1
42	93030D05L10A2	Elastic pin #5x10	A2-70	2
43	91610TCE1625A2	Screw UNI5931 M6x25	A2-70	3
44	92510T000718C	Bracket	WCB	1
45	91615M16	Eye bolt M16	Fe Zinc	1
46	91610TE1670A2	Screw UNI24017 M16x70	A2-70	4
47	91630N1630A2	Washer UNI6592 D.16x30	A2-70	8
48	91620N16A2	Nut UNI5588 M16	A2-70	4
49	55810C000520N	External magnet	A105/NdFeB	1



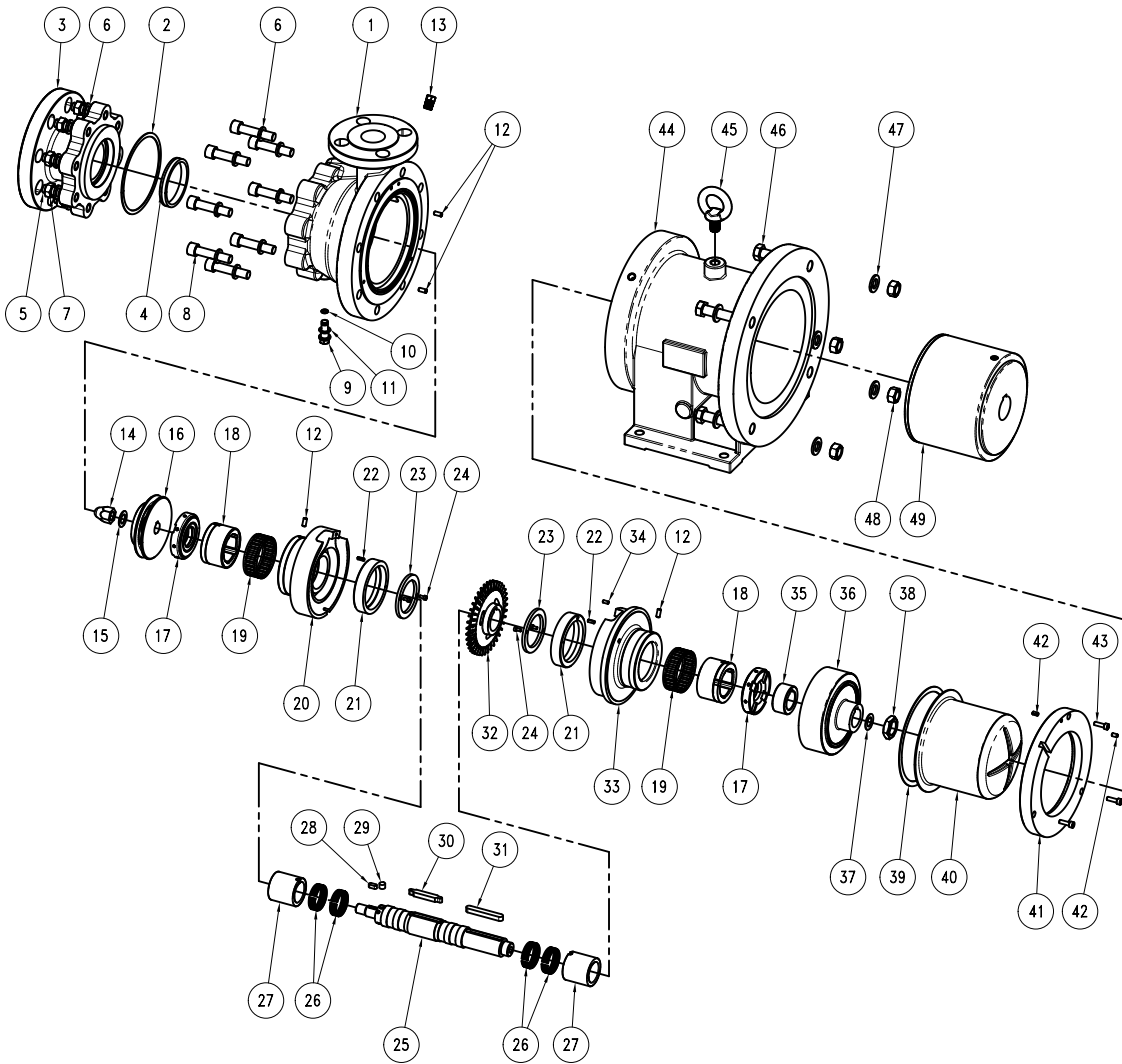
- This drawing is for reference only

Pump model: CT MAG-M 13
 ITEM:
 Magnetic joint: F1-F1

Motor: IEC Gr 180
 Port connection: Flanged
 ANSI (ASA) B16.5 300 lbs / UNI EN1092-1 PN.40

EXPLODED VIEW

CODE: E10551 Rev.:01



PART LIST

ITEM N°	CODE	Description	Material	Q.ty
1	56210CT0007AUF	Pump Casing	CF8M	1
2	91510P14351305	Pump Casing Gasket	PTFE	1
3	55520CT0007AUF	Pump Casing Cover	CF8M	1
4	55110CX04B8510I	Wear ring	AISI316	1
5	91610P1463A2	Stud bolt M14x63	AISI420	8
6	91630S1424A2	Washer UNI1851 D.14x24	A2-70	16
7	91620N14A2	Nut UNI5588 M14	A2-70	8
8	91610TCE11465A2	Screw UNI5931 M14x65	A2-70	8
9	53150A99525	Plug 1/4" BSP	AISI316	1
10	91510P195135	Plug Gasket	PTFE	1
11	92910V813	O-ring 5-664 V0884-75	VITON	1
12	916700614A2	Socket screw UNI5923 M6x14	A2-70	4
13	9315014MA	Plug 1/4" NPT	AISI316	1
14	91690016A2	Impeller Nut	CF8M	1
15	91630L1725A4	Washer NORD LOCK D.16x25.4	A4-70	1
16	55710CT0007A	Centrifugal Impeller	CF8M	1
17	56010C002A	Thrust bearing	AISI316/SSIC	2
18	50310A7040CT	Bushing	Carbon Ant.	2
19	91710ARHV7025	Bushing Tolerance ring	AISI316	2
20	55120T0013AA	Front Volute ring	AISI316	1
21	93010T0007A	Wear pad	Carbon Ant.	2
22	93030D04L12A2	Elastic pin #4x12	A2-70	2
23	90120T0007A	Lock ring wear pad	AISI316	2
24	91610TCE1408A2	Screw UNI5931 M4x8	A2-70	4
25	55010CT0007J	Shaft	AISI316	1
26	91710ARSV5012	Shaft Tolerance ring	AISI316	4
27	902205048S	Sleeve shaft	SSIC	2
28	91640A6615A2	Key UNI6604 6x6x15	A2-70	1
29	56610D100008A	Special Key #10x8	AISI316	1
30	51640A10863A4S	Special Key 10x8x63	A4-70	1
31	91640A10870A2	Key UNI6604 10x8x70	A2-70	1
32	55710T0013A	Impeller	AISI316	1
33	55120T0013AP	Rear Volute ring	AISI316	1
34	93030D04L10A2	Elastic pin #4x10	A2-70	1
35	50310A500238	Int. Magnet spacer	AISI316	1
36	55820C0006NA	Internal magnet	AISI316/NdFeB	1
37	91630L2439A4	Washer NORD LOCK D.24x39	A4-70	1
38	91620R24A4	Nut UNI5589 M24	A4-70	1
39	91510P176158	Rear casing Gasket	PTFE	1
40	55610C006BH	Rear Casing	HC276	1
41	51310AC003D	Rear Casing Lock Flange	AISI316	1
42	93030D05L10A2	Elastic pin #5x10	A2-70	2
43	91610TCE1625A2	Screw UNI5931 M6x25	A2-70	3
44	92510T000722C	Bracket	WCB	1
45	91615M16	Eye bolt M16	Fe Zinc	1
46	91610TE1670A2	Screw UNI24017 M16x70	A2-70	4
47	91630N1630A2	Washer UNI6592 D.16x30	A2-70	8
48	91620N16A2	Nut UNI5588 M16	A2-70	4
49	55810C000622N	External magnet	A105/NdFeB	1

Pump model: CT MAG-M 13
 ITEM:
 Magnetic joint: G1-G1

Motor: IEC Gr 200
 Port connection: Flanged
 ANSI (ASA) B16.5 300 lbs / UNI EN1092-1 PN.40

- This drawing is for reference only

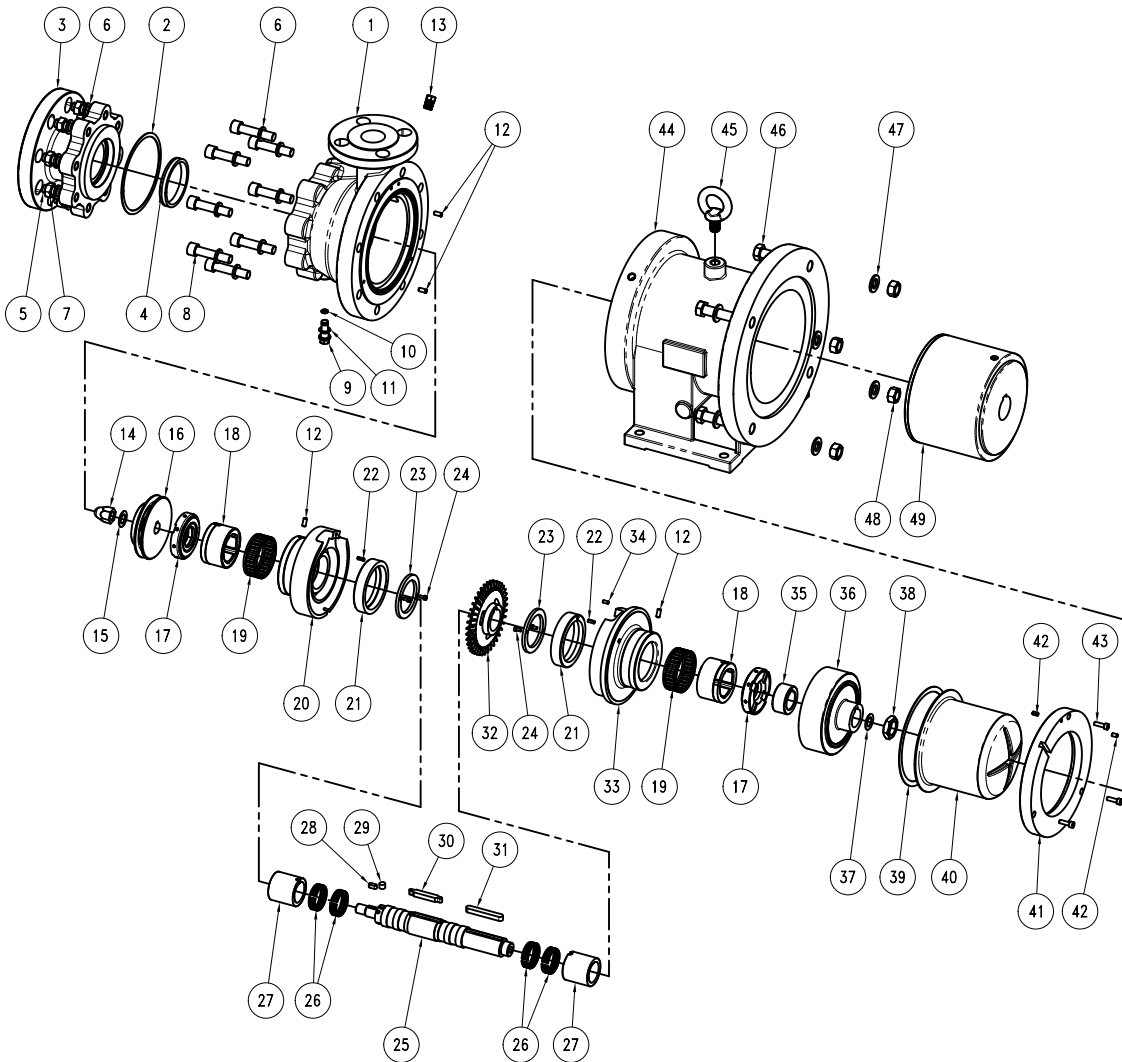
EXPLODED VIEW

CODE: E10552 Rev.:01



PART LIST

ITEM N°	CODE	Description	Material	Q.ty
1	56210CT0007AUF	Pump Casing	CF8M	1
2	91510P14351305	Pump Casing Gasket	PTFE	1
3	55520CT0007AUF	Pump Casing Cover	CF8M	1
4	55110CX04B8510I	Wear ring	AISI316	1
5	91610P1463A2	Stud bolt M14x63	AISI420	8
6	91630S1424A2	Washer UNI1851 D.14x24	A2-70	16
7	91620N14A2	Nut UNI5588 M14	A2-70	8
8	91610TCE11465A2	Screw UNI5931 M14x65	A2-70	8
9	53150A99525	Plug 1/4" BSP	AISI316	1
10	91510P195135	Plug Gasket	PTFE	1
11	92910V813	O-ring 5-664 V0884-75	VITON	1
12	916700614A2	Socket screw UNI5923 M6x14	A2-70	4
13	9315014MA	Plug 1/4" NPT	AISI316	1
14	91690016A2	Impeller Nut	CF8M	1
15	91630L1725A4	Washer NORD LOCK D.16x25.4	A4-70	1
16	55710CT0007A	Centrifugal Impeller	CF8M	1
17	56010C002A	Thrust bearing	AISI316/SSIC	2
18	50310A7040CT	Bushing	Carbon Ant.	2
19	91710ARHV7025	Bushing Tolerance ring	AISI316	2
20	55120T0014AA	Front Volute ring	AISI316	1
21	93010T0007A	Wear pad	Carbon Ant.	2
22	93030D04L12A2	Elastic pin #4x12	A2-70	2
23	90120T0007A	Lock ring wear pad	AISI316	2
24	91610TCE1408A2	Screw UNI5931 M4x8	A2-70	4
25	55010CT0007J	Shaft	AISI316	1
26	91710ARSV5012	Shaft Tolerance ring	AISI316	4
27	902205048S	Sleeve shaft	SSIC	2
28	91640A6615A2	Key UNI6604 6x6x15	A2-70	1
29	56610D100008A	Special Key #10x8	AISI316	1
30	51640A10863A4S	Special Key 10x8x63	A4-70	1
31	91640A10870A2	Key UNI6604 10x8x70	A2-70	1
32	55710T0014A	Impeller	AISI316	1
33	55120T0014AP	Rear Volute ring	AISI316	1
34	93030D04L10A2	Elastic pin #4x10	A2-70	1
35	50310A500238	Int. Magnet spacer	AISI316	1
36	55820C0005NA	Internal magnet	AISI316/NdFeB	1
37	91630L2439A4	Washer NORD LOCK D.24x39	A4-70	1
38	91620R24A4	Nut UNI5589 M24	A4-70	1
39	91510P176158	Rear casing Gasket	PTFE	1
40	55610C006BH	Rear Casing	HC276	1
41	51310AC003D	Rear Casing Lock Flange	AISI316	1
42	93030D05L10A2	Elastic pin #5x10	A2-70	2
43	91610TCE1625A2	Screw UNI5931 M6x25	A2-70	3
44	92510T000718C	Bracket	WCB	1
45	91615M16	Eye bolt M16	Fe Zinc	1
46	91610TE1670A2	Screw UNI24017 M16x70	A2-70	4
47	91630N1630A2	Washer UNI6592 D.16x30	A2-70	8
48	91620N16A2	Nut UNI5588 M16	A2-70	4
49	55810C000518N	External magnet	A105/NdFeB	1



- This drawing is for reference only

Pump model: CT MAG-M 14
 ITEM:
 Magnetic joint: F1-F1

Motor: IEC Gr 160
 Port connection: Flanged
 ANSI (ASA) B16.5 300 lbs / UNI EN1092-1 PN.40

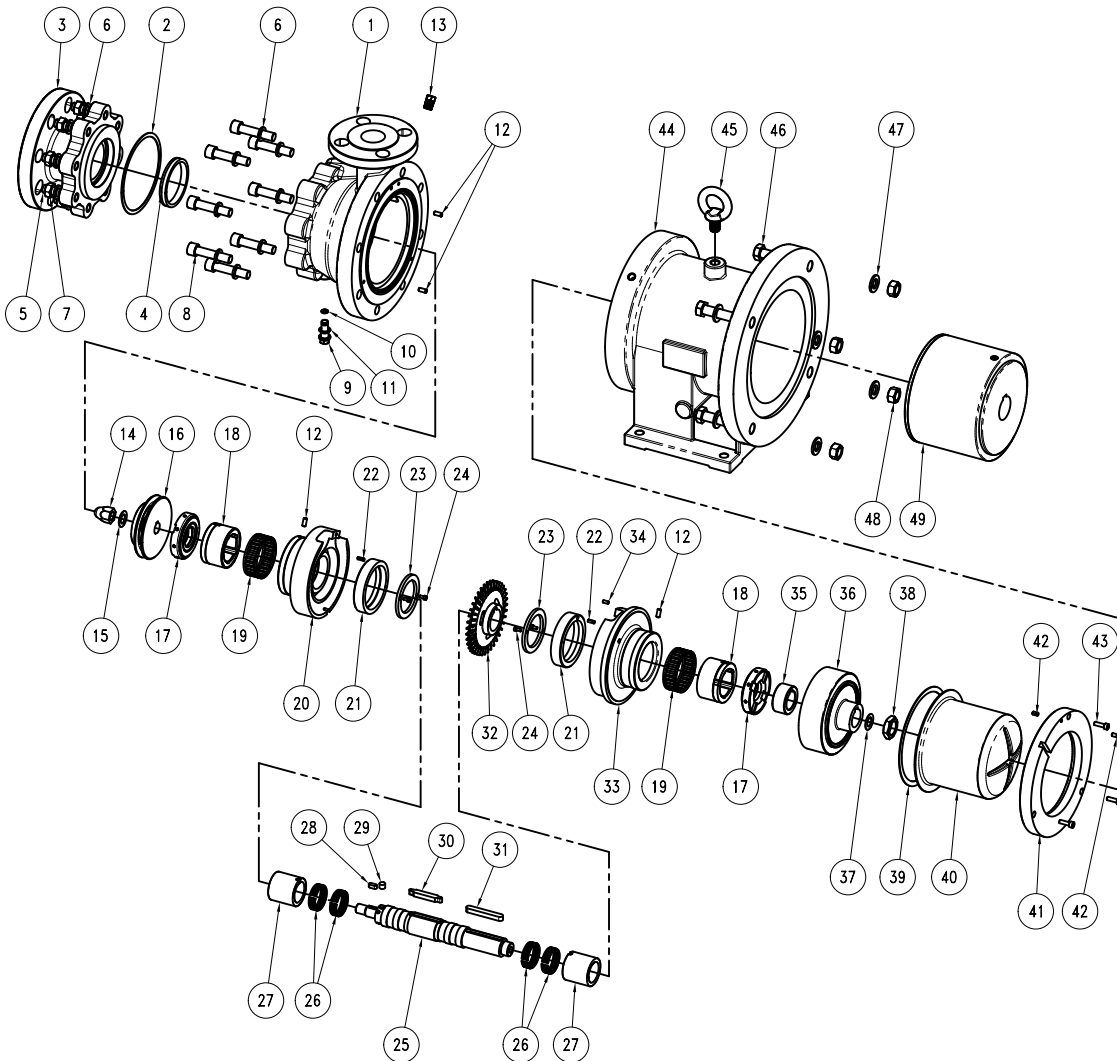
EXPLODED VIEW

CODE: E10560 Rev.:01



PART LIST

ITEM N°	CODE	Description	Material	Q.ty
1	56210CT0007AUF	Pump Casing	CF8M	1
2	91510P14351305	Pump Casing Gasket	PTFE	1
3	55520CT0007AUF	Pump Casing Cover	CF8M	1
4	55110CX04B8510I	Wear ring	AI3136	1
5	91610P1463A2	Stud bolt M14x63	AI31420	8
6	91630S1424A2	Washer UNI1851 D.14x24	A2-70	16
7	91620N14A2	Nut UNI5588 M14	A2-70	8
8	91610TCE11465A2	Screw UNI5931 M14x65	A2-70	8
9	53150A99525	Plug 1/4" BSP	AI3136	1
10	91510P195135	Plug Gasket	PTFE	1
11	92910V813	O-ring 5-664 V0884-75	VITON	1
12	916700614A2	Socket screw UNI5923 M6x14	A2-70	4
13	9315014MA	Plug 1/4" NPT	AI3136	1
14	91690016A2	Impeller Nut	CF8M	1
15	91630L1725A4	Washer NORD LOCK D.16x25.4	A4-70	1
16	55710CT0007A	Centrifugal Impeller	CF8M	1
17	56010C002A	Thrust bearing	AI3136/SSIC	2
18	50310A7040CT	Bushing	Carbon Ant.	2
19	91710ARHV7025	Bushing Tolerance ring	AI3136	2
20	55120T0014AA	Front Volute ring	AI3136	1
21	93010T0007A	Wear pad	Carbon Ant.	2
22	93030D04L12A2	Elastic pin #4x12	A2-70	2
23	90120T0007A	Lock ring wear pad	AI3136	2
24	91610TCE1408A2	Screw UNI5931 M4x8	A2-70	4
25	55010CT0007J	Shaft	AI3136	1
26	91710ARSV5012	Shaft Tolerance ring	AI3136	4
27	902205048S	Sleeve shaft	SSIC	2
28	91640A6615A2	Key UNI6604 6x6x15	A2-70	1
29	56610D100008A	Special Key #10x8	AI3136	1
30	51640A10863A4S	Special Key 10x8x63	A4-70	1
31	91640A10870A2	Key UNI6604 10x8x70	A2-70	1
32	55710T0014A	Impeller	AI3136	1
33	55120T0014AP	Rear Volute ring	AI3136	1
34	93030D04L10A2	Elastic pin #4x10	A2-70	1
35	50310A500238	Int. Magnet spacer	AI3136	1
36	55820C0005NA	Internal magnet	AI3136/NdFeB	1
37	91630L2439A4	Washer NORD LOCK D.24x39	A4-70	1
38	91620R24A4	Nut UNI5589 M24	A4-70	1
39	91510P176158	Rear casing Gasket	PTFE	1
40	55610C006BH	Rear Casing	HC276	1
41	51310AC003D	Rear Casing Lock Flange	AI3136	1
42	93030D05L10A2	Elastic pin #5x10	A2-70	2
43	91610TCE1625A2	Screw UNI5931 M6x25	A2-70	3
44	92510T000718C	Bracket	WCB	1
45	91615M16	Eye bolt M16	Fe Zinc	1
46	91610TE1670A2	Screw UNI24017 M16x70	A2-70	4
47	91630N1630A2	Washer UNI6592 D.16x30	A2-70	8
48	91620N16A2	Nut UNI5588 M16	A2-70	4
49	55810C000520N	External magnet	A105/NdFeB	1



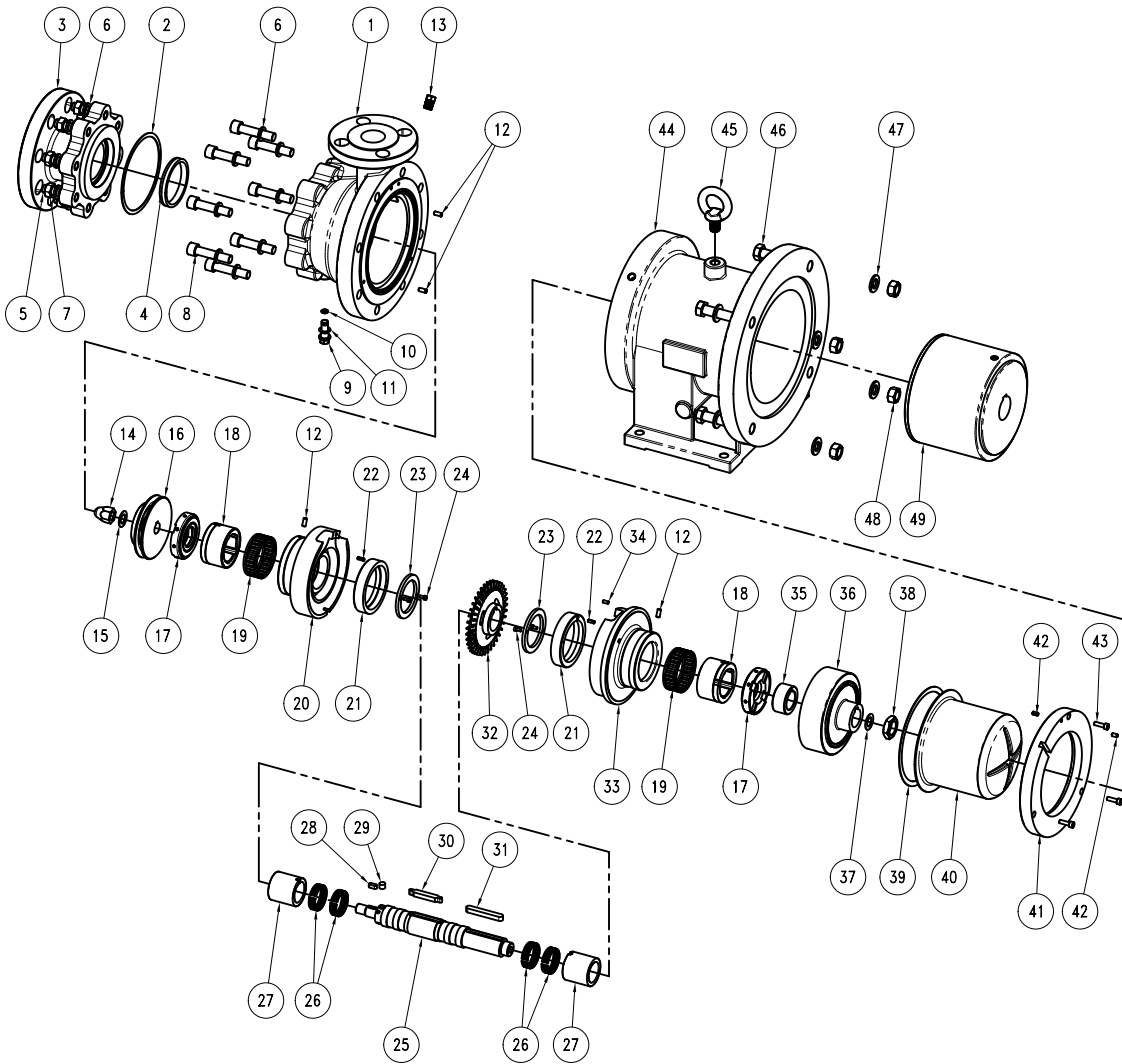
- This drawing is for reference only

Pump model: CT MAG-M 14
 ITEM:
 Magnetic joint: F1-F1

Motor: IEC Gr 180
 Port connection: Flanged
 ANSI (ASA) B16.5 300 lbs / UNI EN1092-1 PN.40

EXPLODED VIEW

CODE: E10553 Rev.:01



PART LIST

ITEM N°	CODE	Description	Material	Q.ty
1	56210CT0007AUF	Pump Casing	CF8M	1
2	91510P14351305	Pump Casing Gasket	PTFE	1
3	55520CT0007AUF	Pump Casing Cover	CF8M	1
4	55110CX04B8510I	Wear ring	AISI316	1
5	91610P1463A2	Stud bolt M14x63	AISI420	8
6	91630S1424A2	Washer UNI1851 D.14x24	A2-70	16
7	91620N14A2	Nut UNI5588 M14	A2-70	8
8	91610TCE11465A2	Screw UNI5931 M14x65	A2-70	8
9	53150A99525	Plug 1/4" BSP	AISI316	1
10	91510P195135	Plug Gasket	PTFE	1
11	92910V813	O-ring 5-664 V0884-75	VITON	1
12	916700614A2	Socket screw UNI5923 M6x14	A2-70	4
13	9315014MA	Plug 1/4" NPT	AISI316	1
14	91690016A2	Impeller Nut	CF8M	1
15	91630L1725A4	Washer NORD LOCK D.16x25.4	A4-70	1
16	55710CT0007A	Centrifugal Impeller	CF8M	1
17	56010C002A	Thrust bearing	AISI316/SSIC	2
18	50310A7040CT	Bushing	Carbon Ant.	2
19	91710ARHV7025	Bushing Tolerance ring	AISI316	2
20	55120T0014A	Front Volute ring	AISI316	1
21	93010T0007A	Wear pad	Carbon Ant.	2
22	93030D04L12A2	Elastic pin #4x12	A2-70	2
23	90120T0007A	Lock ring wear pad	AISI316	2
24	91610TCE1408A2	Screw UNI5931 M4x8	A2-70	4
25	55010CT0007J	Shaft	AISI316	1
26	91710ARSV5012	Shaft Tolerance ring	AISI316	4
27	902205048S	Sleeve shaft	SSIC	2
28	91640A6615A2	Key UNI6604 6x6x15	A2-70	1
29	56610D100008A	Special Key #10x8	AISI316	1
30	51640A10863A4S	Special Key 10x8x63	A4-70	1
31	91640A10870A2	Key UNI6604 10x8x70	A2-70	1
32	55710T0014A	Impeller	AISI316	1
33	55120T0014AP	Rear Volute ring	AISI316	1
34	93030D04L10A2	Elastic pin #4x10	A2-70	1
35	50310A500238	Int. Magnet spacer	AISI316	1
36	55820C0006NA	Internal magnet	AISI316/NdFeB	1
37	91630L2439A4	Washer NORD LOCK D.24x39	A4-70	1
38	91620R24A4	Nut UNI5589 M24	A4-70	1
39	91510P176158	Rear casing Gasket	PTFE	1
40	55610C006BH	Rear Casing	HC276	1
41	51310AC003D	Rear Casing Lock Flange	AISI316	1
42	93030D05L10A2	Elastic pin #5x10	A2-70	2
43	91610TCE1625A2	Screw UNI5931 M6x25	A2-70	3
44	92510T000722C	Bracket	WCB	1
45	91615M16	Eye bolt M16	Fe Zinc	1
46	91610TE1670A2	Screw UNI24017 M16x70	A2-70	4
47	91630N1630A2	Washer UNI6592 D.16x30	A2-70	8
48	91620N16A2	Nut UNI5588 M16	A2-70	4
49	55810C000622N	External magnet	A105/NdFeB	1

Pump model: CT MAG-M 14
 ITEM:
 Magnetic joint: G1-G1

Motor: IEC Gr 200
 Port connection: Flanged
 ANSI (ASA) B16.5 300 lbs / UNI EN1092-1 PN.40

- This drawing is for reference only